

# VOLKSWAGEN

## 2011-16 Touareg 3.6L

### PRECAUTIONS

**Warning:** Acid has strong corrosive properties. If batteries are handled inappropriately, there is a risk that personal injury may result from exposure to harmful electrolyte influences. Therefore, suitable remedies for acid damage must be kept readily available. Soapy water would be a suitable remedy.

**Warning:** If electrolyte drips out from battery, skin can be burned by acid, and vehicle may be affected by acid erosion and corrosion. It is a possibility that safety-related vehicle components can be damaged.

**Warning:** The gas resulting from charging and partially after charging is explosive. In extreme cases, if battery is handled inappropriately, emitted gases may cause battery to explode.

**Warning:** Producing sparks by sanding, welding, cutting and open flames, as well as smoking near a battery is forbidden. Producing sparks through electrostatic discharge must also be avoided. Always touch vehicle body before touching battery.

Only perform battery procedures in suitable and well ventilated locations.

**Caution:** Be very careful when disconnecting ground cable. Do not bend stud bolt on body floor panel. Otherwise stud bolt could break off from floor panel.

After battery disconnection, ESP and level control system indicator lamps do not go out automatically after driving straight a short distance. After driving and then switching ignition OFF, switch ignition ON and OFF again. By switching ignition ON and OFF, DTC entry in ESP control module (caused by disconnecting and connecting battery) is set to sporadic and indicator lamps go out. The sporadic fault is automatically erased from DTC memory after 40 driving cycles (without fault occurring again).

Vehicles with start/stop system only have an AGM battery instead of typical lead battery.

### BATTERY

#### Removal

1. Record radio anti-theft code and station presets.
2. Turn OFF all lamps and accessories.
3. Unlock doors with unlock button on radio frequency remote control or keyless access to disable anti-theft system.
4. Switch OFF ignition and all electrical consumers and remove ignition key.



Fig. 1 Flap location

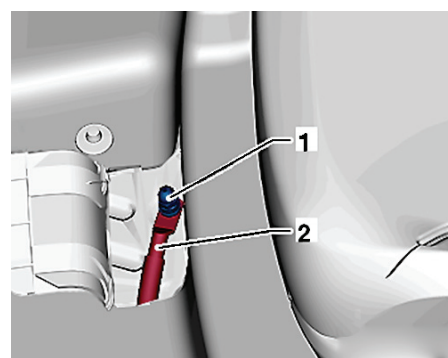


Fig. 2 Ground cable removal

5. Open flap (1) inside carpet in front of lefthand front seat, Fig. 1.
6. Remove cap nut (1) and ground cable (2) from stud bolt, Fig. 2. Secure ground cable so that it cannot fall down.
7. Remove lefthand front seat.
8. Cut open carpet (arrows), Fig. 3.
9. **On models equipped with rear A/C system,** remove bolt (1) and air duct (2), Fig. 4.
10. **On all models,** fold back carpet, open locks on battery housing (arrows) and remove cover, Fig. 5.
11. Disconnect ground cable (1) from battery, Fig. 6.
12. Disconnect positive cable (2) from battery, Fig. 6.
13. Disconnect central gas vent hose (arrow) from top cover, Fig. 7.
14. Remove bolt (1) and battery bottom rail bracket (2), Fig. 8.
15. Remove bolt (1) and retainer bracket (2), Fig. 9.
16. Fold battery handles upward.
17. Hold battery by handles and lift it out of battery case.

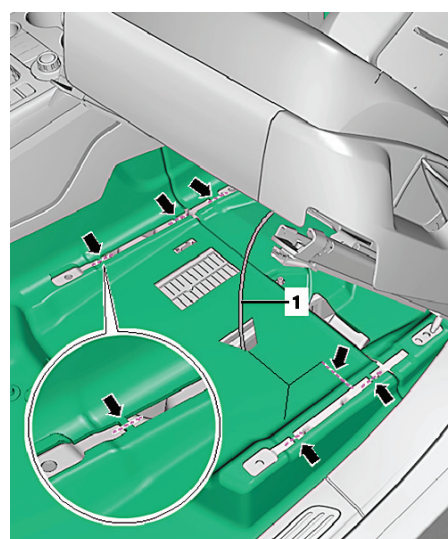
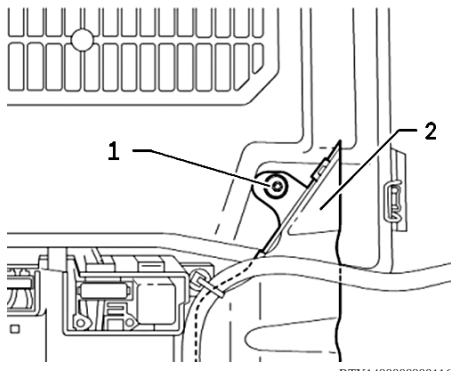


Fig. 3 Carpet cut locations

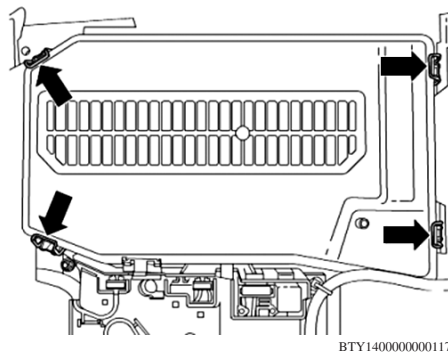
#### Installation

1. Hold battery by handles and insert into battery case.
2. Install bottom rail bracket (2) and **torque** bolt (1) to 89 inch lbs., Fig. 8.
3. Install retainer bracket (2) and **torque** bolt (1) to 80 inch lbs., Fig. 9.
4. Connect central gas vent hose (arrow) to top cover, Fig. 7. Ensure central gas vent hose is attached to battery and that it cannot get disconnected when battery is being installed. Only then can battery be properly vented.
5. Connect positive cable (2) to battery and **torque** to 53 inch lbs., Fig. 6.
6. Connect ground cable (1) to battery and **torque** to 53 inch lbs., Fig. 6.
7. Install cover and close locks on battery housing (arrows), Fig. 5.

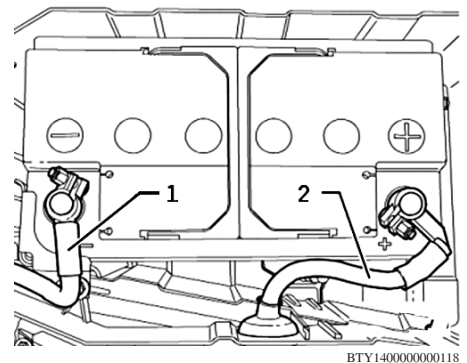
8. Tape carpet together.
9. **On models equipped with rear A/C system,** install air duct (2) and bolt (1), Fig. 4.
10. **On all models,** install lefthand front seat.
11. Install ground cable (2) on stud bolt and **torque** cap nut (1) to 15 ft. lbs., Fig. 2.
12. Close flap (1) inside carpet in front of lefthand front seat, Fig. 1.
13. Enter battery data of new battery into data bus on board diagnostic interface control module.
14. Reset all preset and theft codes previously recorded to radio.
15. Inspect any affected system or component such as clock, comfort adjustment, or compass for proper settings, and adjust as required.



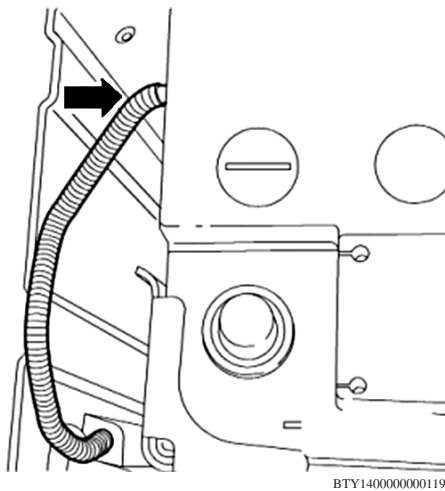
**Fig. 4 Air duct removal**



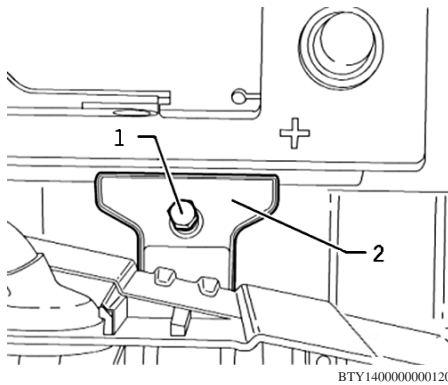
**Fig. 5 Battery cover removal**



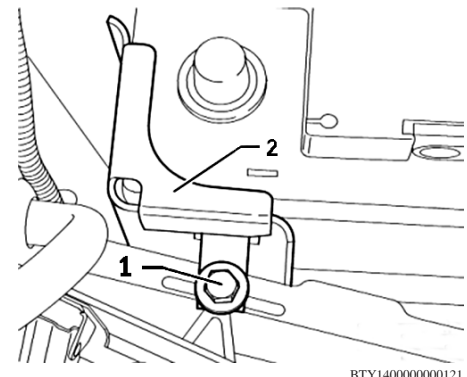
**Fig. 6 Battery cable disconnect**



**Fig. 7 Gas vent hose disconnect**



**Fig. 8 Bottom rail bracket removal**



**Fig. 9 Retainer bracket removal**

The material herein may not be used without the prior express written permission of the copyright holder, including, but not limited to reproduction or transmission in any form by any means such as electronic, mechanical, photocopying, recording or otherwise; nor may it be stored on any retrieval system of any nature.

"The data reported herein has been compiled from authoritative sources. While every effort is made by the analysts to attain accuracy, manufacturing changes as well as typographical errors and omissions may occur on occasion. The publisher cannot be responsible nor does it assume any responsibility whatsoever for such omissions, errors or changes."

"Portions of materials contained herein have been reprinted under license from Volkswagen Group of America, Inc., License Agreement 12500VWA."

**MOTOR INFORMATION SYSTEMS**  
**MOTOR is a trademark of Hearst Business Publishing, Inc.**  
**A Unit of Hearst Corporation**  
**1301 W. Long Lake, Suite 300**  
**Troy, MI 48098**

Copyright © 2016 MOTOR Information Systems, a division of Hearst Business Publishing, Inc. All rights reserved.