

VOLKSWAGEN 1998-2011 Jetta

PRECAUTIONS

Warning: Acid has strong corrosive properties. If batteries are handled inappropriately, there is a risk that personal injury may result from exposure to harmful electrolyte influences. Therefore, suitable remedies for acid damage must be kept readily available. Soapy water would be a suitable remedy.

Warning: If electrolyte drips out from the battery, skin can be burned by acid, and the vehicle may be affected by acid erosion and corrosion. It is a possibility that safety-related vehicle components can be damaged.

Warning: The gas resulting from charging and partially after charging is explosive. In extreme cases, if the battery is handled inappropriately, the emitted gases may cause the battery to explode.

Warning: Producing sparks by sanding, welding, cutting and open flames, as well as smoking near a battery, is forbidden. Producing sparks through electrostatic discharge must also be avoided. Always touch the vehicle body before touching the battery.

Caution: Only perform battery procedures in suitable and well-ventilated locations.

BATTERY

With Fastened Fuse Holder

REMOVAL

1. Record radio anti-theft code and station presets.
2. Turn off all lamps and accessories.
3. Turn ignition switch to OFF position.
4. Pull off intake hose (1), connector (2) and hose (3) from mass air-flow sensor, **Fig. 1**.
5. Remove air cleaner mounting bolts (4 and 5), **Fig. 1**.
6. Loosen battery ground terminal clamp fastener, and remove ground cable from battery.
7. Press fuse cover locking lugs together (arrows) and remove, **Fig. 2**.
8. Remove positive bus securing bolt (1) on positive terminal clamp, **Fig. 3**.
9. Remove securing bolts (A) and remove cables to fuses, noting installed positions, **Fig. 3**.
10. Disconnect electrical connection (2), **Fig. 3**.
11. Relieve tension on fuse holder mounting in direction of (arrow A), and release clip with screwdriver in direction of (arrow B), **Fig. 4**.
12. Lift fuse holder from battery.

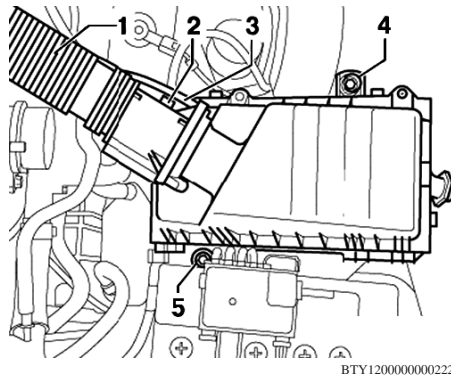


Fig. 1 Air cleaner housing removal

13. Remove screws (arrows) and remove cover (1), **Fig. 5**.
14. Loosen battery positive terminal clamp fastener (arrow), and remove terminal from battery post, **Fig. 6**.
15. Remove battery heat shield cover, as required.
16. Remove bolt (arrow), and remove retaining bracket, **Fig. 7**.
17. Disconnect central gas vent hose from top cover, as required.
18. Carefully lift and remove battery from engine compartment.

INSTALLATION

1. Install battery so battery carrier lug (arrow) engages in foot strip cut out (1), **Fig. 8**. It must not be possible to move battery to lefthand or righthand sides.
2. Battery is inserted correctly when center cut out in foot strip aligns with threaded hole in battery carrier (arrows), **Fig. 9**.
3. On batteries with a hose for central venting, ensure that hose is not squashed or pinched. On batteries without a hose for central venting, ensure that opening on upper side of battery cover is not blocked.
4. Install hold down bracket with bolt, and **torque** to 18 ft. lbs.
5. Install battery heat shield cover, as required.
6. Install positive battery cable, and **torque** clamp to 53 inch lbs.
7. Fit fuse holder onto battery, and install positive bus onto securing pins on battery positive terminal.
8. Engage fuse holder clip in battery.
9. Tighten securing bolt (1) for positive bus on positive terminal clamp, **Fig. 3**.
10. Connect cables to strip fuses, and tighten securing bolts (A), **Fig. 3**.
11. Connect electrical connector (2), **Fig. 3**.
12. Install battery ground cable, and **torque** clamp to 53 inch lbs.

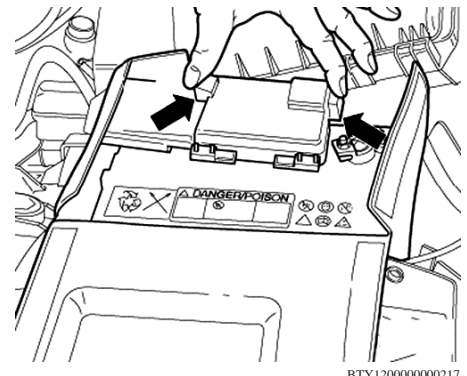


Fig. 2 Fuse cover removal

13. Install cover (1) with screws (arrows), **Fig. 5**.
14. Reset all preset and theft codes previously recorded to radio.
15. Inspect any affected system or component such as clock, comfort adjustment, or compass for proper settings, and adjust as required.

With Clipped Fuse Holder

REMOVAL

1. Record radio anti-theft code and station presets.
2. Turn off all lamps and accessories.
3. Turn ignition switch to OFF position.
4. Unclip battery positive cable from retainer (1), **Fig. 10**.
5. Press locking lugs together (2), and remove battery cover from battery, **Fig. 10**.
6. Loosen ground cable fastening clamp, and remove ground cable from battery.
7. Remove bolt (1) on positive terminal clamp, **Fig. 11**.
8. Lift fuse holder out of mounting (2), and slide fuse box out from mounting in direction of (arrow), **Fig. 11**.
9. Secure fuse holder to front hood support with elastic cord, as illustrated in **Fig. 12**.
10. Loosen battery positive terminal clamp fastener (arrow), and remove terminal from battery post, **Fig. 12**.
11. Remove screws (arrows) and remove cover (1), **Fig. 5**.
12. Remove battery heat shield cover, as required.
13. Unclip retaining frame for fuse holder (arrows), **Fig. 13**.
14. Remove bolt (2) and remove retaining bracket (3), **Fig. 13**.
15. Disconnect central gas vent hose from top cover, as required.
16. Carefully lift and remove battery from engine compartment.

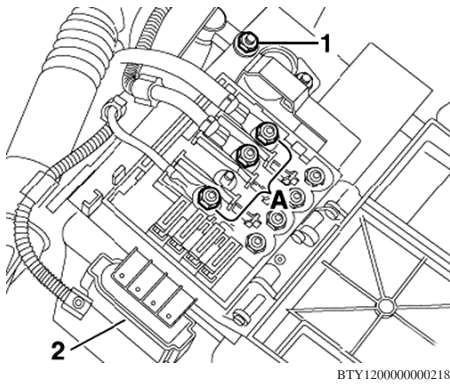


Fig. 3 Fuse panel mounting bolt removal

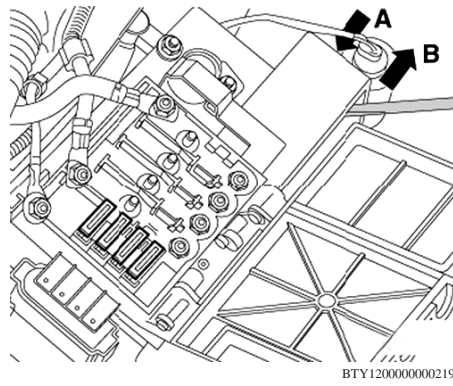


Fig. 4 Fastened fuse holder removal

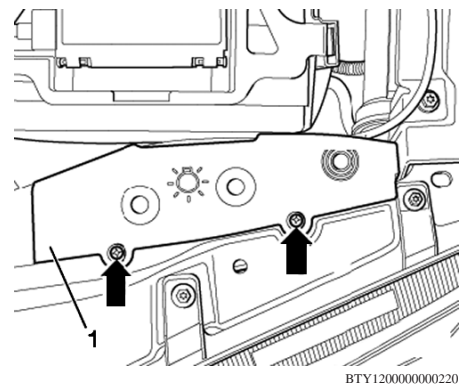


Fig. 5 Battery cover removal

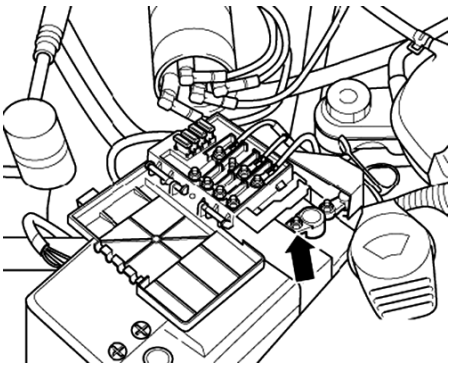


Fig. 6 Positive cable removal

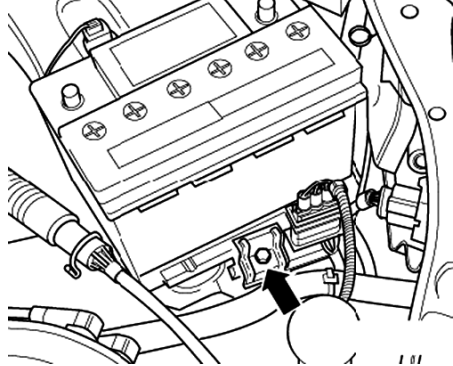


Fig. 7 Battery removal

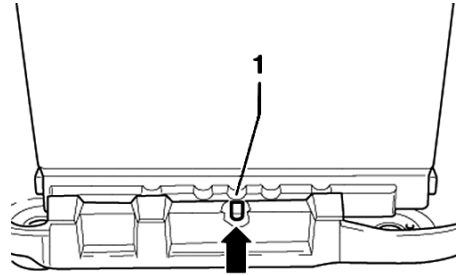


Fig. 8 Battery installation

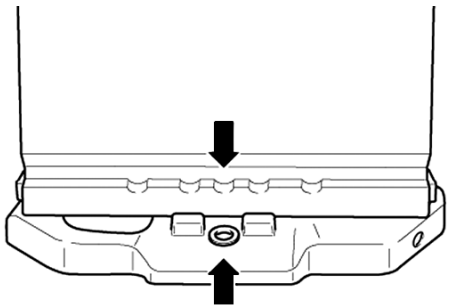


Fig. 9 Battery alignment

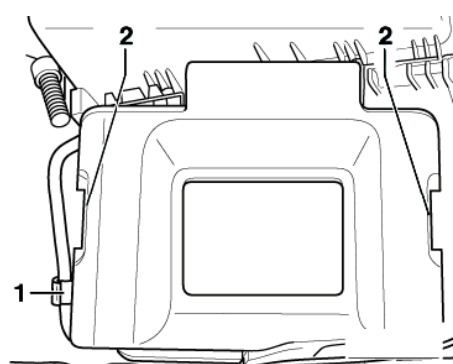


Fig. 10 Battery top cover removal

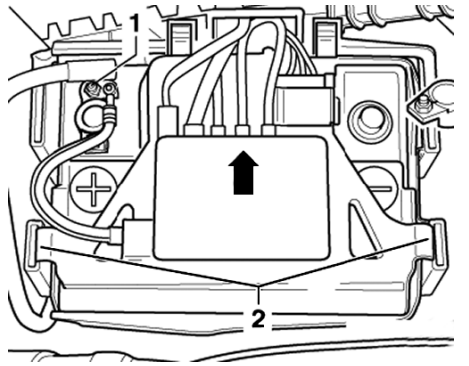


Fig. 11 Clipped fuse holder removal

INSTALLATION

1. Install battery so battery carrier lug (arrow) engages foot strip cut out (1), **Fig. 8**. It must not be possible to move battery to lefthand or righthand sides.
2. Battery is inserted correctly when center cut out in foot strip aligns with threaded hole in battery carrier (arrows), **Fig. 9**.
3. On batteries with a hose for central venting, ensure that hose is not squashed or pinched. On batteries

- without a hose for central venting, ensure that opening on upper side of battery cover is not blocked.
4. Install hold down bracket with bolt, and **torque** to 18 ft. lbs.
 5. Install battery heat shield cover, as required.
 6. Install positive battery cable, and **torque** clamp to 53 inch lbs.
 7. Slide fuse holder and into mounting.

8. Clip fuse holder mountings into battery box (1 and 2), **Fig. 14**.
9. Install battery ground cable, and **torque** clamp to 53 inch lbs.
10. Install cover (1) with screws (arrows), **Fig. 5**.
11. Reset all preset and theft codes previously recorded to radio.
12. Inspect any affected system or component such as clock, comfort adjustment, or compass for proper settings, and adjust as required.

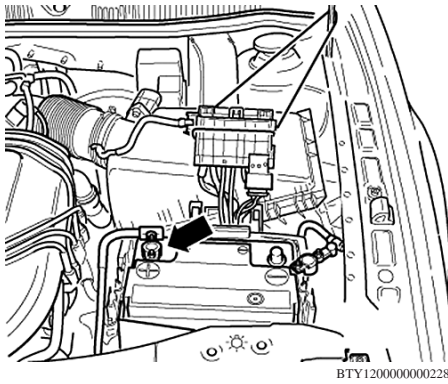


Fig. 12 Fuse holder fastening

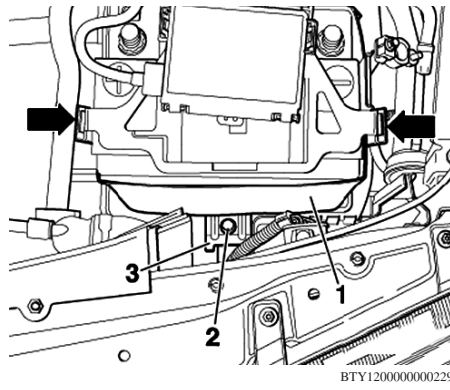


Fig. 13 Battery retaining bracket removal

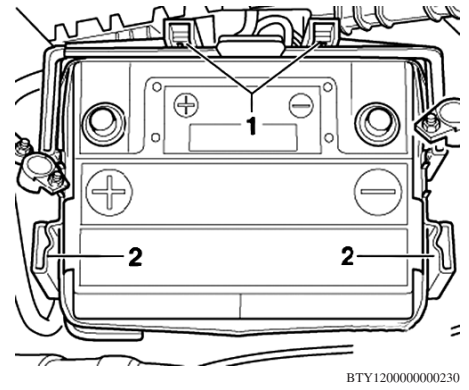


Fig. 14 Clipped fuse holder installation

The material herein may not be used without the prior express written permission of the copyright holder, including, but not limited to reproduction or transmission in any form by any means such as electronic, mechanical, photocopying, recording or otherwise; nor may it be stored on any retrieval system of any nature.

"The data reported herein has been compiled from authoritative sources. While every effort is made by the analysts to attain accuracy, manufacturing changes as well as typographical errors and omissions may occur on occasion. The publisher cannot be responsible nor does it assume any responsibility whatsoever for such omissions, errors or changes."

"Portions of materials contained herein have been reprinted under license from Volkswagen of America, Inc., License Agreement 08500VWA."

MOTOR INFORMATION SYSTEMS
MOTOR is a trademark of Hearst Business Media
A Unit of Hearst Corporation
1301 W. Long Lake, Suite 300
Troy, MI 48098

Copyright © 2012 Hearst Business Media. All rights reserved.