

# SATURN 2007-10 Sky

## PRECAUTIONS

**Warning:** When performing service on or near the SIR components or the SIR wiring, the SIR system must be disabled. Failure to observe the correct procedure could cause deployment of the SIR components, personal injury, or unrequired SIR system repairs.

**Warning:** Batteries generate hydrogen gas, which is extremely flammable and may explode violently if ignited by a spark or a flame. Battery acid is extremely corrosive and causes severe personal injury if the acid comes into contact with skin, and blindness if the acid comes into contact with eyes. In order to avoid severe personal injury, use extreme caution when servicing the battery or battery-related components.

**Warning:** Unless directed otherwise, the ignition and start switch must be in the OFF or LOCK position, and all electrical loads must be OFF before servicing any electrical component. Disconnect the battery ground cable to prevent an electrical spark should a tool or equipment come in contact with an exposed electrical terminal. Failure to follow these precautions may result in personal injury and/or damage to the vehicle or its components.

For vehicles equipped with OnStar® (UE1) with Back Up Battery, the back up battery is a redundant power supply to allow limited OnStar® functionality in the event of a main vehicle battery power disruption to the VCIM (OnStar® module). Do not disconnect the main vehicle battery or remove the OnStar® fuse with the ignition key in any position other than OFF. Retained Accessory Power (RAP) should be allowed to time out or be disabled (simply opening the driver door should disable RAP) before disconnecting power. Disconnecting power to the OnStar® module in any way while the

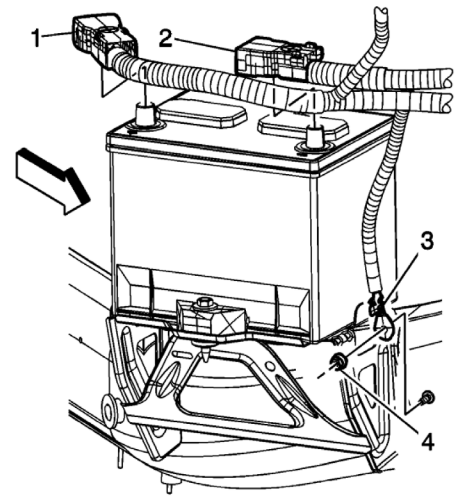
ignition is ON or with RAP activated may cause activation of the OnStar® Back Up Battery (BUB) system and will discharge and permanently damage the BUB. Once the BUB is activated, it will stay on until it has completely discharged. The BUB is not rechargeable and, once activated, the BUB must be replaced.

## BATTERY Removal

1. Record all vehicle preset radio stations.
2. Turn OFF all lamps and accessories.
3. Ensure ignition switch is in OFF position.
4. Open battery ground connection cover.
5. Loosen battery ground cable nut.
6. Disconnect battery ground (2) cable from battery, **Fig. 1**.
7. Remove lefthand front wheel.
8. Remove front wheelhouse liner bolts (1), **Fig. 2**.
9. Remove front wheelhouse liner screws (2), **Fig. 2**.
10. Remove front wheelhouse liner retainers (3), **Fig. 2**.
11. Remove front wheelhouse liner.
12. Open positive battery cable connection cover.
13. Loosen positive battery cable nut.
14. Remove front fender rear bracket to side rail bolts, **Fig. 3**.
15. Remove front fender to front fender rear bracket upper (1) and lower (2) bolts, **Fig. 4**.
16. Remove front fender rear bracket.
17. Remove battery hold down retainer bolt and retainer, **Fig. 5**.
18. Remove battery.

## Installation

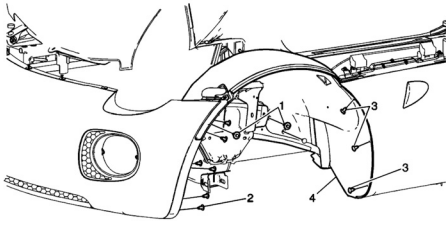
1. Install battery.



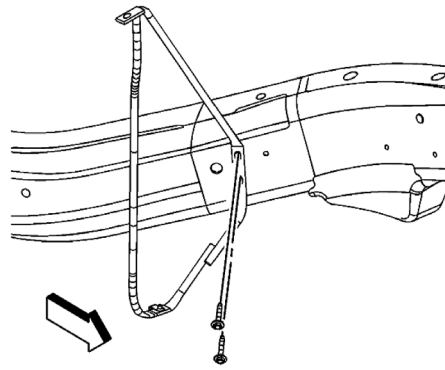
BTY1200000000066

**Fig. 1 Battery removal**

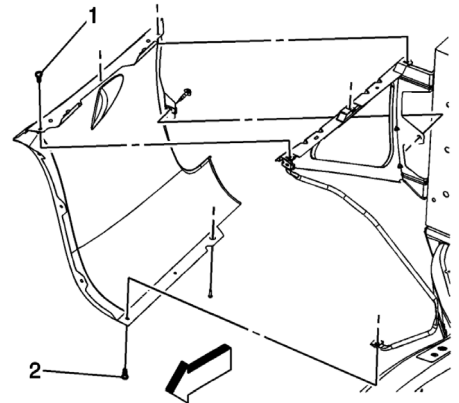
2. Install battery hold down retainer and bolt. **Torque** bolt to 18 ft. lbs.
3. Install front fender rear bracket.
4. Install front fender rear bracket to side rail bolts. **Torque** bolts to 15 ft. lbs.
5. Install front fender to front fender rear bracket upper and lower bolts. **Torque** bolts to 15 ft. lbs.
6. Install positive battery cable.
7. **Torque** positive battery cable nut to 13 ft. lbs.
8. Close positive battery cable connection cover.
9. Install front wheelhouse liner, **Fig. 2**.
10. Install front wheelhouse liner retainers.
11. Install front wheelhouse liner screws.
12. Install front wheelhouse liner bolts.
13. Connect battery ground cable to battery. **Torque** nut to 13 ft. lbs.
14. Close battery ground cable connection cover.
15. Set radio stations and clock.



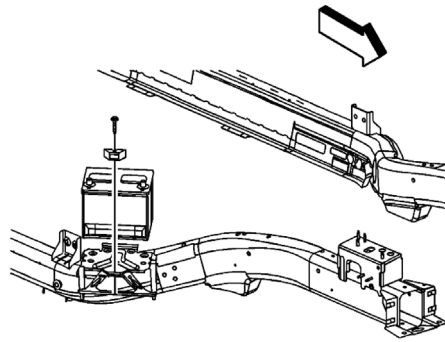
**Fig. 2 Lefthand front wheelhouse liner**



**Fig. 3 Front fender rear bracket & side rail bolts**



**Fig. 4 Front fender rear bracket upper & lower bolts**



**Fig. 5 Battery hold down retainer & retainer bolt**

The material herein may not be used without the prior express written permission of the copyright holder, including, but not limited to reproduction or transmission in any form by any means such as electronic, mechanical, photocopying, recording or otherwise; nor may it be stored on any retrieval system of any nature.

"The data reported herein has been compiled from authoritative sources. While every effort is made by the analysts to attain accuracy, manufacturing changes as well as typographical errors and omissions may occur on occasion. The publisher cannot be responsible nor does it assume any responsibility whatsoever for such omissions, errors or changes."

"Portions of materials herein have been reprinted with permission of General Motors Company, Service Technology Group"

**MOTOR INFORMATION SYSTEMS**  
**MOTOR is a trademark of Hearst Business Media**  
**A Unit of Hearst Corporation**  
**1301 W. Long Lake, Suite 300**  
**Troy, MI 48098**  
Copyright © 2012 Hearst Business Media. All rights reserved.