

PONTIAC 2001-05 Aztek

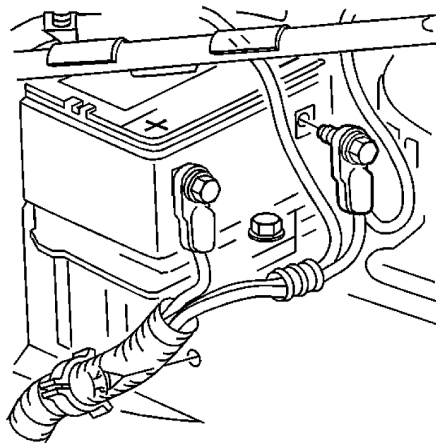
PRECAUTIONS

Warning: When performing service on or near the SIR components or the SIR wiring, the SIR system must be disabled. Failure to observe the correct procedure could cause deployment of the SIR components, personal injury, or unrequired SIR system repairs.

Warning: Batteries generate hydrogen gas, which is extremely flammable and may explode violently if ignited by a spark or a flame. Battery acid is extremely corrosive and causes severe personal injury if the acid comes into contact with skin, and blindness if the acid comes into contact with eyes. In order to avoid severe personal injury, use extreme caution when servicing the battery or battery-related components.

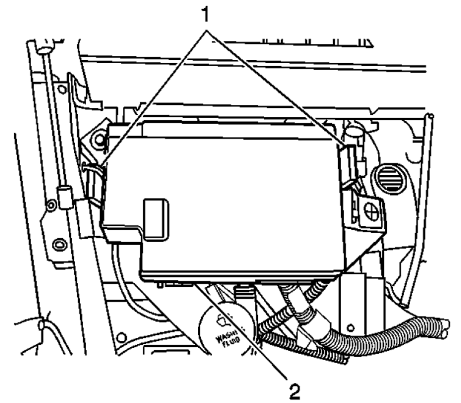
Warning: Unless directed otherwise, the ignition and start switch must be in the OFF or LOCK position, and all electrical loads must be OFF before servicing any electrical component. Disconnect the battery ground cable to prevent an electrical spark should a tool or equipment come in contact with an exposed electrical terminal. Failure to follow these precautions may result in personal injury and/or damage to the vehicle or its components.

For vehicles equipped with OnStar® (UE1) with Back Up Battery, the back up battery is a redundant power supply to allow limited OnStar® functionality in the event of a main vehicle battery power disruption to the VCIM (OnStar® module). Do not disconnect the main vehicle battery or remove the OnStar® fuse with the ignition key in any position other than OFF. Retained Accessory Power (RAP) should be allowed to time out or be disabled (simply opening the driver door should disable RAP) before disconnecting power. Disconnecting power to the OnStar® module in any way while the ignition is ON or with RAP activated may cause activation of the OnStar® Back Up Battery (BUB) system and will discharge and permanently damage the BUB. Once the BUB is activated, it will stay on until it has completely discharged. The BUB is not rechargeable and, once activated, the BUB must be replaced.



BTY120000000033

Fig. 1 Battery ground cable



BTY120000000034

Fig. 2 Underhood accessory wiring junction block cover

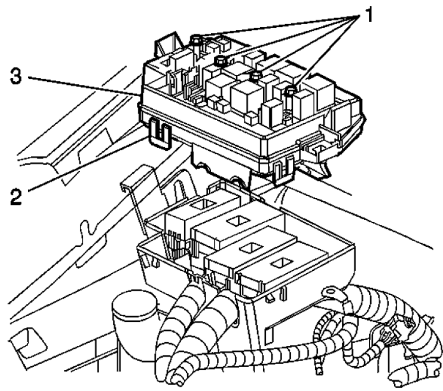
BATTERY Removal

1. Record all radio station presets.
2. Turn off all lamps and accessories.
3. Turn ignition OFF.
4. Remove battery ground cable and bolt from battery, **Fig. 1**.
5. Release underhood accessory wiring junction block cover retaining tabs (1), **Fig. 2**.
6. Remove underhood accessory wiring junction block cover (2), **Fig. 2**.
7. Disconnect battery positive cable.
8. Loosen underhood accessory wiring junction block wiring harness retaining bolts (1), **Fig. 3**.
9. Release four underhood accessory wiring junction block retaining clips (2), **Fig. 3**.
10. Lift underhood accessory wiring junction block (3) out of mounting bracket, **Fig. 3**.
11. Disconnect electrical connectors.
12. Remove underhood accessory wiring junction block (3), **Fig. 3**.
13. Remove bolt from front end sheet metal diagonal brace at inner fender, **Fig. 4**.
14. Remove bolts from front end sheet metal diagonal brace at radiator support.
15. Remove front end sheet metal diagonal brace.
16. Remove battery hold down retainer

17. Remove battery.
18. Remove battery insulator from battery, **Fig. 6**.

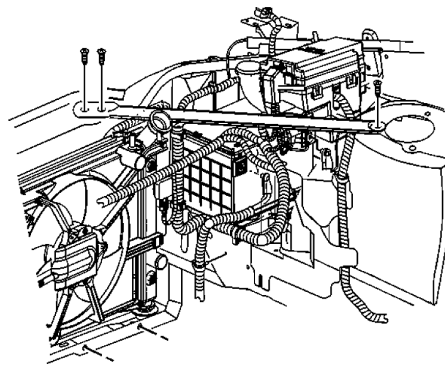
Installation

1. Install battery insulator on battery.
2. Install battery.
3. Install battery hold down retainer and bolt. **Torque** bolt to 12 ft. lbs.
4. Position front end sheet metal diagonal brace to radiator support and to inner fender.
5. Install bolts to front end sheet metal diagonal brace at radiator support. **Torque** bolts to 89 inch lbs.
6. Install bolts to front end sheet metal diagonal brace at inner fender. **Torque** bolts to 89 inch lbs.
7. Align electrical connectors to their slots in underhood accessory wiring junction block bracket.
8. Align underhood accessory wiring junction block (3) onto electrical connectors, **Fig. 7**.
9. Hand tighten harness retaining bolts.
10. Secure four underhood accessory wiring junction block retaining clips.
11. Tighten underhood accessory wiring junction block harness retaining bolts. **Torque** bolts to 36 inch lbs.
12. Install battery positive cable to battery. **Torque** bolt to 12 ft. lbs.
13. Connect battery ground cable. **Torque** bolt to 12 ft. lbs.
14. Reset all radio station presets.



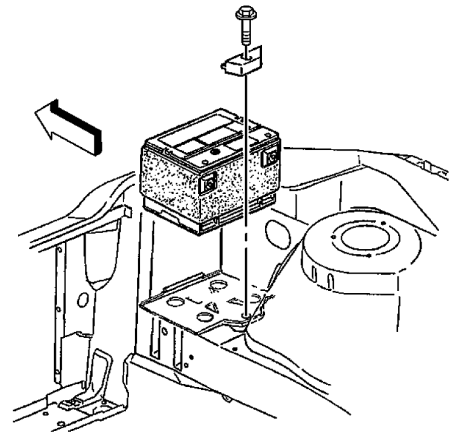
BTY120000000035

Fig. 3 Underhood accessory wiring junction block wiring harness retaining bolts



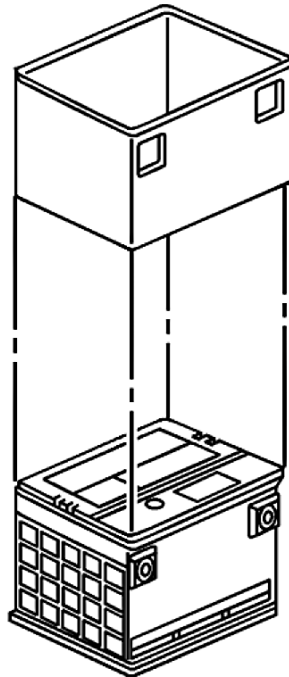
BTY120000000036

Fig. 4 Sheet metal diagonal brace



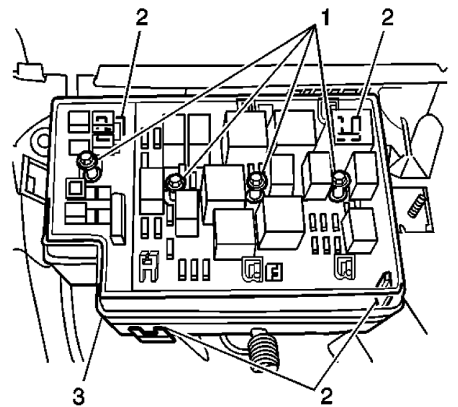
BTY120000000037

Fig. 5 Battery hold down retainer & bolt



BTY120000000038

Fig. 6 Battery insulator



BTY120000000039

Fig. 7 Junction block

The material herein may not be used without the prior express written permission of the copyright holder, including, but not limited to reproduction or transmission in any form by any means such as electronic, mechanical, photocopying, recording or otherwise; nor may it be stored on any retrieval system of any nature.

"The data reported herein has been compiled from authoritative sources. While every effort is made by the analysts to attain accuracy, manufacturing changes as well as typographical errors and omissions may occur on occasion. The publisher cannot be responsible nor does it assume any responsibility whatsoever for such omissions, errors or changes."

"Portions of materials herein have been reprinted with permission of General Motors Company, Service Technology Group"

MOTOR INFORMATION SYSTEMS
MOTOR is a trademark of Hearst Business Media
A Unit of Hearst Corporation
1301 W. Long Lake, Suite 300
Troy, MI 48098

Copyright © 2012 Hearst Business Media. All rights reserved.