

# NISSAN 2016 Maxima

## PRECAUTIONS

**Caution:** To prevent damage to parts, disconnect ground battery cable from ground terminal first.

**Caution:** To prevent damage to parts, connect positive battery terminal first when installing.

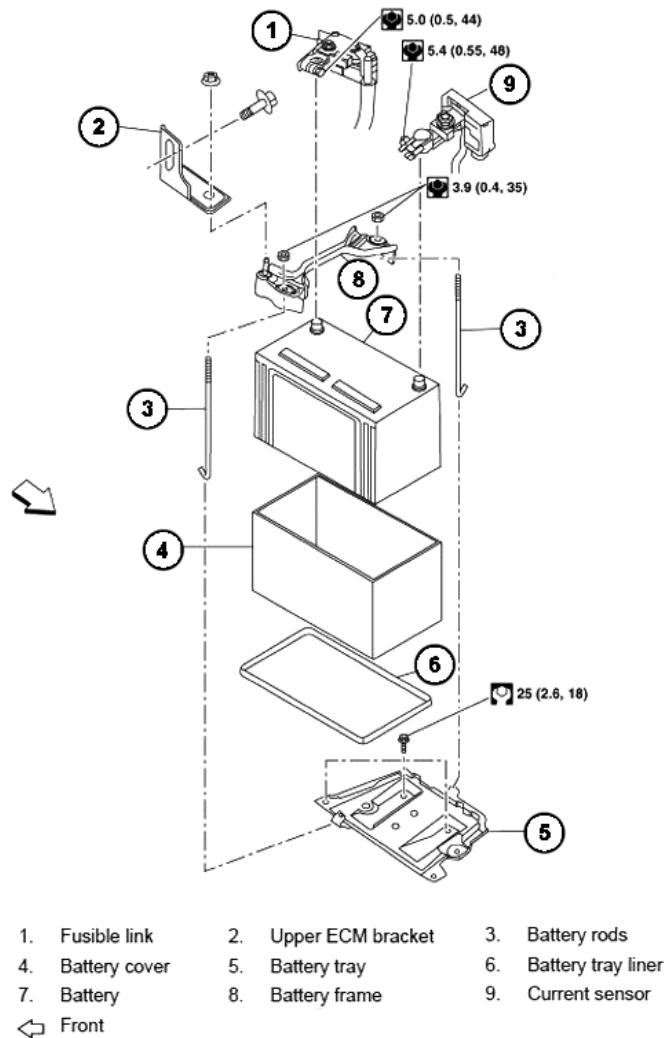
## BATTERY

### Removal

1. Disconnect ground battery terminal.
2. Remove fusible link cover and remove positive battery terminal.
3. Remove upper ECM bracket nut, bolt and ECM upper bracket, **Fig. 1**.
4. Remove battery rod nuts and battery frame, **Fig. 1**.
5. Remove battery from vehicle, **Fig. 1**.

### Installation

1. Install in reverse order of removal.
2. **Torque** battery positive terminal nut to 44 inch lbs.
3. **Torque** battery ground terminal nut to 48 inch lbs.
4. Reset electronic systems as required.



BTY160000001760

**Fig. 1 Battery removal**

The material herein may not be used without the prior express written permission of the copyright holder, including, but not limited to reproduction or transmission in any form by any means such as electronic, mechanical, photocopying, recording or otherwise; nor may it be stored on any retrieval system of any nature.

"The data reported herein has been compiled from authoritative sources. While every effort is made by the analysts to attain accuracy, manufacturing changes as well as typographical errors and omissions may occur on occasion. The publisher cannot be responsible nor does it assume any responsibility whatsoever for such omissions, errors or changes."

**MOTOR INFORMATION SYSTEMS**  
**MOTOR is a trademark of Hearst Business Publishing, Inc.**  
 A Unit of Hearst Corporation  
 1301 W. Long Lake, Suite 300  
 Troy, MI 48098

Copyright © 2016 MOTOR Information Systems, a division of Hearst Business Publishing, Inc. All rights reserved.