

MERCEDES-BENZ 1998-2002 E430

PRECAUTIONS

Warning: Risk of explosion when charging lead batteries with battery electrolyte containing sulfuric acid; a highly explosive gas mixture is created that ignites by means of fire, sparks, open flames and smoking.

Warning: The battery electrolyte contains diluted sulfuric acid that causes caustic burns to skin, eyes and mucous membranes in the event of contact. Bonded electrolyte is just as caustic as liquid electrolyte. Battery electrolyte mist causes caustic burns to eyes. If inhaled, this can result in caustic burns to mucous membranes and respiratory tracts.

Warning: In event of a short circuit from battery positive to ground, battery terminals and conductive objects causing short circuit, such as a tool or jewelry, become hot in seconds and cause burns.

Warning: If battery electrolyte is swallowed, this can result in symptoms of poisoning such as headache, dizziness, stomach ache, respiratory paralysis, unconsciousness, vomiting, caustic burns and cramps. Absorption of lead in body through contact with leaded components (battery terminals, lead plates in damaged batteries) damages blood, nerves and kidneys; lead compounds are also toxic for reproduction.

Caution: Wear acid-resistant gloves and clothing and safety glasses with side guards.

Only charge lead batteries in well-ventilated rooms with appropriate voltage and appropriate current with approved chargers, taking into account the instructions of battery and charger manufacturers.

Caution: Do not place any conductive objects on battery, and do not wear any conductive jewelry (risk of short circuit).

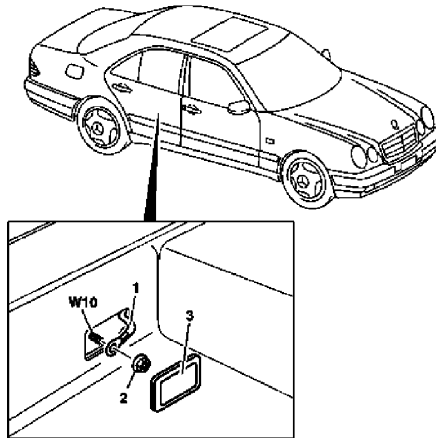


Fig. 1 Ground cable removal

Always disconnect the ground terminal first; always connect positive terminal first (risk of short circuit caused by tool).

Only store, transport and install batteries with liquid battery electrolyte horizontally, otherwise battery electrolyte can escape from the degassing holes.

BATTERY Removal

1. Remove rear seat or fold rear seat cushion forward, and remove battery compartment cover depending on equipment.
2. After opening vehicle, wait for at least four minutes before disconnecting battery, otherwise alarm will be triggered.
3. Insulate terminal of ground cable to avoid unintentional contact between ground cable (1) and ground point (W10). Connect quiescent current retention unit if required, **Fig. 1**.
4. Disconnect ground cable (3) at battery, **Fig. 2**.
5. Disconnect positive cable (4), **Fig. 2**.
6. Detach vent pipe (5) at battery (G1), **Fig. 2**.
7. Remove battery (G1), **Fig. 2**.

Installation

1. Install battery.
2. Attach vent pipe.
3. Connect positive cable.
4. Connect ground cable at battery.
5. Connect ground cable to body.
6. **Torque** ground cable to body nut to 13 ft. lbs.
7. Install battery compartment cover.
8. If radio is disconnected from power supply, it is not operational when reconnected. After switching on ignition and radio, readout "CODE" appears in display. Code radio as follows:
 - a. Code number for radio is on enclosed code card.
 - b. To enter first digit of code number, continue pressing station button one until correct digit appears in display. Adopt same procedure for second, third and fourth digits.
 - c. Once correct code number is entered with station buttons one, two, three, four and confirmed entry with seek button (press down), readout "CODE" disappears. Radio can now be operated.
 - d. If a wrong code is entered three times, wait 15 minutes before making a new entry. In addition, if nine incorrect entries are made, radio will then not operate for 24 hours. During this time, radio and ignition (terminal 15) must remain switched on.
9. Set time on stationary heater time, if required.
10. Activate steering angle sensor by starting engine and turning wheel from stop to stop and back to center.

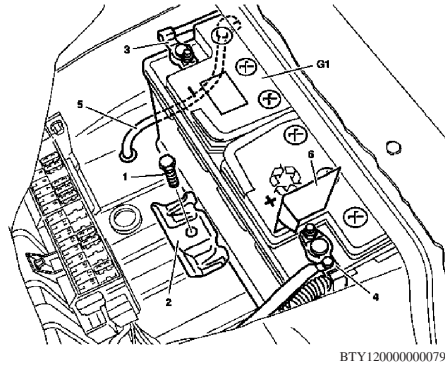


Fig. 2 Battery removal

The material herein may not be used without the prior express written permission of the copyright holder, including, but not limited to reproduction or transmission in any form by any means such as electronic, mechanical, photocopying, recording or otherwise; nor may it be stored on any retrieval system of any nature.

"The data reported herein has been compiled from authoritative sources. While every effort is made by the analysts to attain accuracy, manufacturing changes as well as typographical errors and omissions may occur on occasion. The publisher cannot be responsible nor does it assume any responsibility whatsoever for such omissions, errors or changes."

MOTOR INFORMATION SYSTEMS
MOTOR is a trademark of Hearst Business Media
A Unit of Hearst Corporation
1301 W. Long Lake, Suite 300
Troy, MI 48098

Copyright © 2012 Hearst Business Media. All rights reserved.
