

INFINITI

2006-10 M45

PRECAUTIONS

Warning: Do not expose the battery to flames or electrical sparks. Hydrogen gas generated by the battery is explosive.

Warning: Do not allow battery fluid to come in contact with skin, eyes, fabrics, or painted surfaces. After touching a battery, do not touch or rub your eyes until you have thoroughly washed your hands. If acid contacts eyes, skin or clothing, immediately flush with water for 15 minutes and seek medical attention. Keep battery out of reach of children.

Warning: When working on or near a battery, always wear suitable eye protection and remove all jewelry.

Warning: Battery posts, terminals and related accessories contain lead and lead compounds. Wash hands after handling.

BATTERY

Removal

1. Remove righthand engine room cover.
2. Remove battery cover.

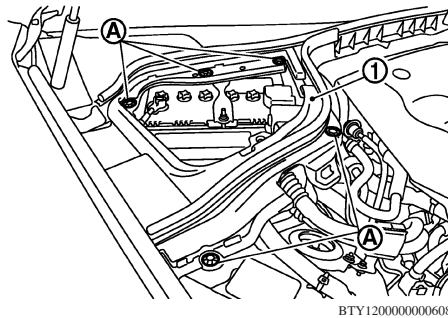


Fig. 1 Remove righthand hoodledge cover removal

3. Remove clips (A), and remove righthand hoodledge cover (1), **Fig. 1**.
4. Remove righthand cowl top cover.
5. Remove cover on battery positive terminal.
6. Loosen battery cable clamp nuts (1), disconnect battery ground cable first, then disconnect positive cable from battery terminals, **Fig. 2**.
7. Remove mounting nuts (2), and remove battery hold down (3), **Fig. 2**.
8. Remove relay box (3) from bracket if required, **Fig. 2**.
9. Remove battery.

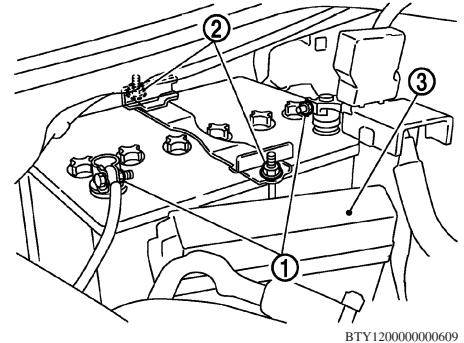


Fig. 2 Battery removal

Installation

1. Reverse procedure to install, noting the following:
 - a. **Torque** battery hold down mounting nuts to 39 inch lbs.
 - b. Connect battery positive cable to battery first, then connect battery ground cable.
 - c. **Torque** battery cable clamp nuts to 48 inch lbs.
 - d. Reset electronic systems as required.

The material herein may not be used without the prior express written permission of the copyright holder, including, but not limited to reproduction or transmission in any form by any means such as electronic, mechanical, photocopying, recording or otherwise; nor may it be stored on any retrieval system of any nature.

"The data reported herein has been compiled from authoritative sources. While every effort is made by the analysts to attain accuracy, manufacturing changes as well as typographical errors and omissions may occur on occasion. The publisher cannot be responsible nor does it assume any responsibility whatsoever for such omissions, errors or changes."

MOTOR INFORMATION SYSTEMS
MOTOR is a trademark of Hearst Business Media
A Unit of Hearst Corporation
1301 W. Long Lake, Suite 300
Troy, MI 48098
Copyright © 2012 Hearst Business Media. All rights reserved.