

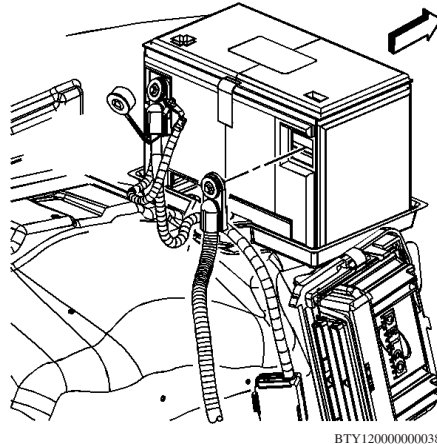
# GMC

## 2003-06 Yukon

### PRECAUTIONS

**Warning:** Batteries produce explosive gases, contain corrosive acid, and supply levels of electrical current high enough to cause burns. Therefore, to reduce the risk of personal injury when working near a battery: Always shield your eyes and avoid leaning over the battery whenever possible; do not expose the battery to open flames or sparks; do not allow the battery electrolyte to contact the eyes or the skin; flush immediately and thoroughly any contacted areas with water, and get medical help.

Unless directed otherwise, the ignition and start switch must be in the OFF or LOCK position, and all electrical loads must be OFF before servicing any electrical component. Disconnect the battery ground cable to prevent an electrical spark should a tool or equipment come in contact with an exposed electrical terminal. Failure to follow these precautions may result in personal injury and/or damage to the vehicle or its components. For vehicles equipped with OnStar® (UE1) with Back Up Battery, the back up battery is a redundant power supply to allow limited OnStar® functionality in the event of a main vehicle battery power disruption to the VCIM (OnStar® module). Do not disconnect the main vehicle battery or remove the OnStar® fuse with the ignition key in any position other than OFF. Retained Accessory Power (RAP) should be allowed to time out or be disabled (simply opening the driver door should disable RAP) before disconnecting power. Dis-



**Fig. 1 Battery ground cable removal**

connecting power to the OnStar® module in any way while the ignition is ON or with RAP activated may cause activation of the OnStar® Back Up Battery (BUB) system and will discharge and permanently damage the BUB. Once the BUB is activated, it will stay on until it has completely discharged. The BUB is not rechargeable and, once activated, the BUB must be replaced.

### BATTERY Removal

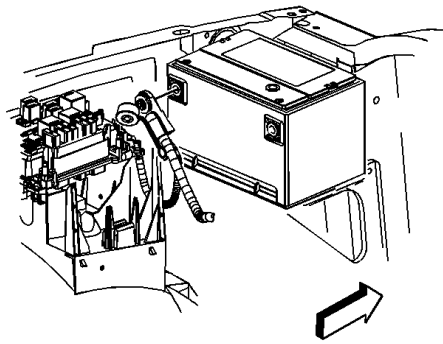
1. Record radio anti-theft code and station presets.

2. Turn off all lamps and accessories.
3. Turn ignition switch to OFF position.
4. Loosen battery ground cable bolt and remove ground cable from battery, **Fig. 1**.
5. Open battery positive cable cap, **Fig. 2**.
6. Loosen battery positive cable bolt, and remove positive cable from battery.
7. Remove front end diagonal brace bolts and brace, **Fig. 3**.
8. Remove battery hold down retainer bolt and retainer, **Fig. 4**.
9. Remove battery from battery tray.
10. Remove battery insulator.

### Installation

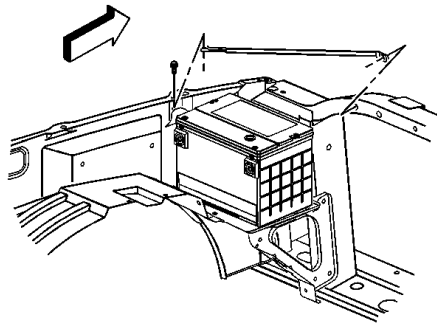
Clean any existing corrosion from the battery terminal bolt flange and the battery cable end.

1. Install battery insulator to battery, **Fig. 4**.
2. Install battery to battery tray.
3. Install battery hold down retainer and bolt. **Torque** bolt to 18 ft. lbs.
4. Install front end diagonal brace and bolts, **Fig. 3**. **Torque** bolts to 80 inch lbs.
5. Install battery positive cable and bolt to battery, **Fig. 2**. **Torque** bolt to 13 ft. lbs.
6. Snap battery positive cable cap closed.
7. Install battery ground cable and bolt to battery, **Fig. 1**. **Torque** bolt to 13 ft. lbs.
8. Reset all preset and theft codes previously recorded to radio.



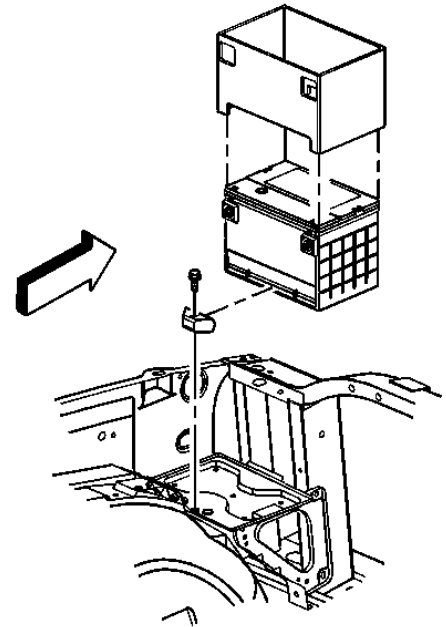
**Fig. 2 Battery positive cable removal**

BTY120000000382



**Fig. 3 Front end diagonal brace removal**

BTY120000000383



**Fig. 4 Battery hold down retainer, battery & insulator removal**

BTY120000000384

The material herein may not be used without the prior express written permission of the copyright holder, including, but not limited to reproduction or transmission in any form by any means such as electronic, mechanical, photocopying, recording or otherwise; nor may it be stored on any retrieval system of any nature.

"The data reported herein has been compiled from authoritative sources. While every effort is made by the analysts to attain accuracy, manufacturing changes as well as typographical errors and omissions may occur on occasion. The publisher cannot be responsible nor does it assume any responsibility whatsoever for such omissions, errors or changes."

"Portions of materials herein have been reprinted with permission of General Motors Company, Service Technology Group"

**MOTOR INFORMATION SYSTEMS**  
**MOTOR is a trademark of Hearst Business Media**  
**A Unit of Hearst Corporation**  
**1301 W. Long Lake, Suite 300**  
**Troy, MI 48098**

Copyright © 2012 Hearst Business Media. All rights reserved.