

GMC

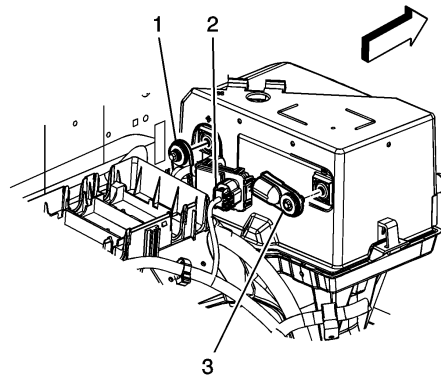
2007-09 Envoy

PRECAUTIONS

Warning: Batteries produce explosive gases, contain corrosive acid, and supply levels of electrical current high enough to cause burns. Therefore, to reduce the risk of personal injury when working near a battery: Always shield your eyes and avoid leaning over the battery whenever possible; do not expose the battery to open flames or sparks; do not allow the battery electrolyte to contact the eyes or the skin; flush immediately and thoroughly any contacted areas with water, and get medical help.

Warning: Unless directed otherwise, the ignition and start switch must be in the OFF or LOCK position, and all electrical loads must be OFF before servicing any electrical component. Disconnect the battery ground cable to prevent an electrical spark should a tool or equipment come in contact with an exposed electrical terminal. Failure to follow these precautions may result in personal injury and/or damage to the vehicle or its components.

For vehicles equipped with OnStar® (UE1) with Back Up Battery, the back up battery is a redundant power supply to allow limited OnStar® functionality in the event of a main vehicle battery power disruption to the VCIM (OnStar® module). Do not disconnect the main vehicle battery or remove the OnStar® fuse with the ignition key in any position other than OFF. Retained Accessory Power (RAP) should be allowed to time out or be disabled (simply opening the driver door should disable RAP) before disconnecting power. Disconnecting power to the OnStar® module in any way while the ignition is ON or with RAP activated may cause activation of the OnStar® Back Up Battery (BUB) system and will discharge and permanently damage the BUB. Once the BUB is activated, it will stay on until it has completely discharged. The BUB is



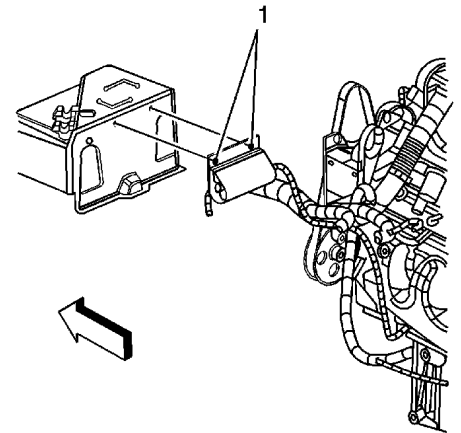
BTY120000000505

Fig. 1 Battery cable disconnection

not rechargeable and, once activated, the BUB must be replaced.

BATTERY Removal

1. Record radio anti-theft code and station presets.
2. Turn off all lamps and accessories.
3. Turn ignition switch to OFF position.
4. Loosen battery ground cable bolt.
5. Disconnect battery ground cable (3) from battery, **Fig. 1**.
6. Loosen battery positive cable bolt.
7. Disconnect battery positive cable (1) from battery, **Fig. 1**.
8. Remove coolant heater cord retainers (1) and heater cord from battery cover, if equipped, **Fig. 2**.
9. Remove battery air duct from battery cover, **Fig. 3**.
10. Remove battery tray brace bolts, nut and brace, **Fig. 4**.
11. Remove battery cover from battery, **Fig. 5**.
12. Remove battery hold down retainer nut, washer and retainer, **Fig. 6**.
13. Remove battery from battery tray.



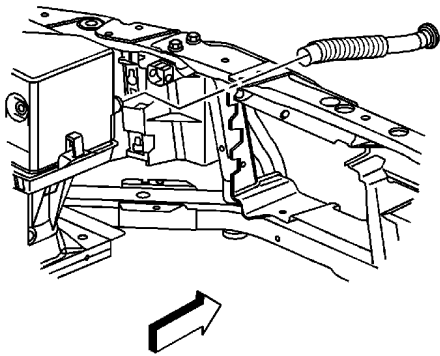
BTY120000000500

Fig. 2 Coolant heater cord removal

Installation

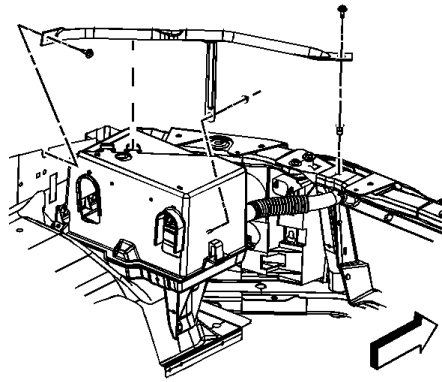
Clean any corrosion from the battery cables using a wire brush.

1. Install battery to battery tray.
2. Install battery hold down retainer, nut and washer, **Fig. 6**. **Torque** nut to 11 ft. lbs.
3. Install battery cover to battery, **Fig. 5**.
4. Install battery tray brace, bolts and nut, **Fig. 4**. **Torque** bolts and nut to 89 inch lbs.
5. Install battery air duct to battery cover, **Fig. 3**.
6. Install coolant heater cord and retainers to battery cover, if equipped, **Fig. 2**.
7. Connect battery positive cable (1) to battery, **Fig. 1**. **Torque** cable bolt to 11 ft. lbs.
8. Connect battery ground cable (3) to battery, **Fig. 1**. **Torque** cable bolt to 11 ft. lbs.
9. Reset all preset and theft codes previously recorded to radio.



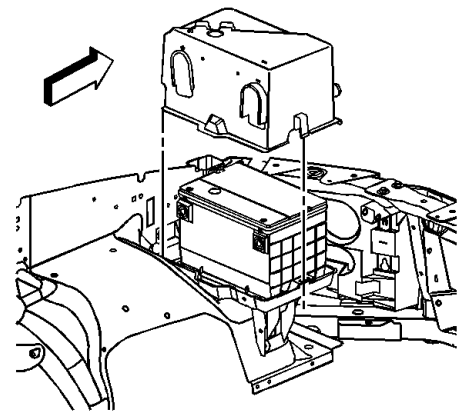
BTY120000000501

Fig. 3 Battery air duct removal



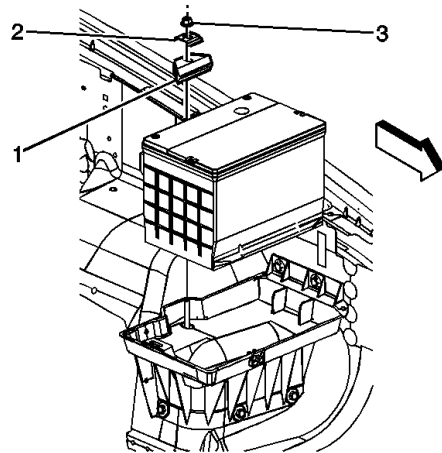
BTY120000000502

Fig. 4 Battery tray brace removal



BTY120000000503

Fig. 5 Battery cover removal



BTY120000000504

Fig. 6 Battery removal

The material herein may not be used without the prior express written permission of the copyright holder, including, but not limited to reproduction or transmission in any form by any means such as electronic, mechanical, photocopying, recording or otherwise; nor may it be stored on any retrieval system of any nature.

"The data reported herein has been compiled from authoritative sources. While every effort is made by the analysts to attain accuracy, manufacturing changes as well as typographical errors and omissions may occur on occasion. The publisher cannot be responsible nor does it assume any responsibility whatsoever for such omissions, errors or changes."

"Portions of materials herein have been reprinted with permission of General Motors Company, Service Technology Group"

MOTOR INFORMATION SYSTEMS
MOTOR is a trademark of Hearst Business Media
A Unit of Hearst Corporation
1301 W. Long Lake, Suite 300
Troy, MI 48098

Copyright © 2012 Hearst Business Media. All rights reserved.