

FORD

2002-05 Thunderbird

PRECAUTIONS

Warning: Batteries normally produce explosive gases that can cause personal injury. Therefore, do not allow flames, sparks or lighted substances to come near the battery. When charging or working near a battery; always shield your face and protect your eyes. Always provide ventilation. Failure to follow these instructions may result in personal injury.

Warning: Always lift a plastic-cased battery with a battery carrier or with hands on opposite corners. Excessive pressure on the battery end walls may cause acid to flow through the vent caps, resulting in personal injury and/or damage to the vehicle or battery.

Warning: Keep out of the reach of children. Batteries contain sulfuric acid. Avoid contact with skin, eyes or clothing. Also, shield your eyes when working near the battery to protect against possible splashing of the acid solution. In case of acid contact with the skin or eyes, flush immediately with water for a minimum of 15 minutes and get prompt medical attention. If acid is swallowed, call a physician immediately. Failure to follow these instructions may result in personal injury.

Warning: To avoid accidental deployment and possible injury, the backup power supply must be depleted before repairing or installing any front or side air bag Supplemental Restraint System (SRS) components and before repairing, installing, adjusting or striking components near the front or side air bag sensors, such as doors, instru-

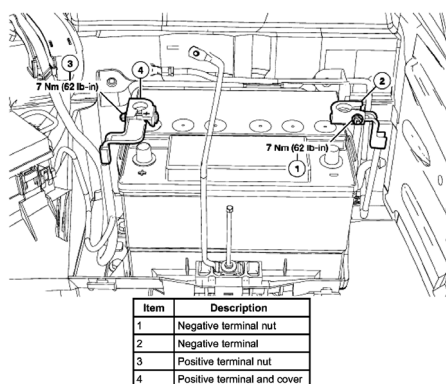


Fig. 1 Battery disconnection

ment panel, console, door latches, strikers, seats and hood latches. To deplete the backup power supply energy, disconnect the battery ground cable and wait at least one minute. Be sure to disconnect auxiliary batteries and power supplies (if equipped). Failure to follow these instructions may result in personal injury.

The battery is a 12 volt direct current source connected in a ground system. The battery case is sealed and includes one vent hose to release gases to the outside of the vehicle. This vent hose must be attached at all times. New batteries must be of the same vented design. The battery contains a built-in hydrometer with a green dot in the hydrometer eye, indicating the battery is OK. A yellow dot, a red dot, or if the green dot is not visible, means the battery needs to be charged and tested.

Because the engine is electronically controlled by the Powertrain Control Mod-

ule (PCM), some control conditions are maintained by power from the battery. When the battery is disconnected or a new battery is installed, the engine must relearn its idle and fuel-trim strategy for optimum driveability and performance. Allow the engine to idle for one minute. The relearning process will automatically complete itself as the vehicle is driven. The vehicle may need to be driven. If the engine is not allowed to relearn its idle trim, the idle quality may be adversely affected until the idle trim is eventually relearned. Additionally, to account for customer driving habits and conditions, the automatic transmission must relearn its adaptive strategy. Optimal shifting will resume within a few hundred miles of operation. The clock radio presets and door windows must be reset (or recalibrated) once the battery is reconnected.

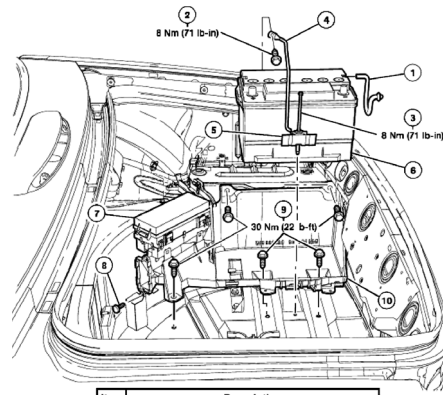
BATTERY

Removal

1. Remove luggage compartment floor panel to access battery.
2. Disconnect components in order indicated in illustration and table, **Fig. 1**.
3. Remove components in order indicated in illustration and table, **Fig. 2**.

Installation

1. Connect components in opposite order indicated in illustration and table, **Fig. 1**.
2. Install components in opposite order indicated in illustration and table, **Fig. 2**.
3. Install luggage compartment floor panel.



Item	Description
1	Battery vent hose
2	Battery hold-down clamp upper bolt (part of 10756)
3	Battery hold-down clamp lower bolt (part of 10756)
4	Battery hold-down clamp (part of 10756)
5	Battery hold-down clamp wedge
6	Battery
7	Rear battery junction box (BJB)
8	Mega fuse holder (part of 14A005)
9	Battery tray bolts
10	Battery tray

BTY120000000762

Fig. 2 Battery removal

The material herein may not be used without the prior express written permission of the copyright holder, including, but not limited to reproduction or transmission in any form by any means such as electronic, mechanical, photocopying, recording or otherwise; nor may it be stored on any retrieval system of any nature.

"The data reported herein has been compiled from authoritative sources. While every effort is made by the analysts to attain accuracy, manufacturing changes as well as typographical errors and omissions may occur on occasion. The publisher cannot be responsible nor does it assume any responsibility whatsoever for such omissions, errors or changes."

"This product contains material that is reproduced and distributed under a license from Land Rover, Volvo, Ford & Jaguar. No further reproduction or distribution of this material is allowed without the express written permission of Land Rover, Volvo, Ford or Jaguar."

Ford Data Copyright © 1974-2012 Ford Motor Company

MOTOR INFORMATION SYSTEMS
MOTOR is a trademark of Hearst Business Media
A Unit of Hearst Corporation
1301 W. Long Lake, Suite 300
Troy, MI 48098

Copyright © 2012 Hearst Business Media. All rights reserved.