

# CHRYSLER 1996-2000 Cirrus

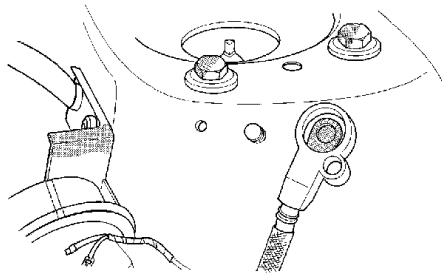
## PRECAUTIONS

**Warning:** The battery is vented to release excess hydrogen gas that is created when the battery is being charged or discharged. However, even with these vents, hydrogen gas can collect in or around the battery. If hydrogen gas is exposed to flame or sparks, it may ignite. Do not smoke, use flame, or create sparks near the battery. Personal injury and vehicle damage may result. The battery contains sulfuric acid, which is poisonous and caustic. Avoid contact with the skin, eyes, or clothing. In the event of contact, flush with water and call a physician immediately. Keep out of reach of children.

**Warning:** To protect hands from battery acid, a suitable pair of heavy duty rubber gloves, not the household type, should be worn when removing or servicing a battery. Safety glasses also should be worn. Remove metallic jewelry worn on hands or wrists to avoid injury by accidental arcing of battery current.

**Warning:** Do not allow jumper cable clamps to touch each other when connected to a booster source. When using a high output boosting device, do not allow the disabled vehicle's battery to exceed 16 volts. Personal injury or damage to electrical system can result.

It is important that the battery, starting system, and charging system be thoroughly tested and inspected any time a battery needs to be charged or replaced.



**Fig. 1 Battery ground cable remote terminal connector removal**

The cause of abnormal discharge, over charging or early battery failure must be corrected before a battery is replaced or returned to service.

The battery Group Size number, the Cold Cranking Amperage (CCA) rating, and the Reserve Capacity (RC) rating or Ampere-Hours (AH) rating can be found on the original equipment battery label. Be certain that a replacement battery has the correct Group Size number, as well as CCA and RC or AH ratings that equal or exceed the original equipment specification for the vehicle being serviced.

## BATTERY Removal

The battery is sealed and water cannot be added. A side post battery is used in this

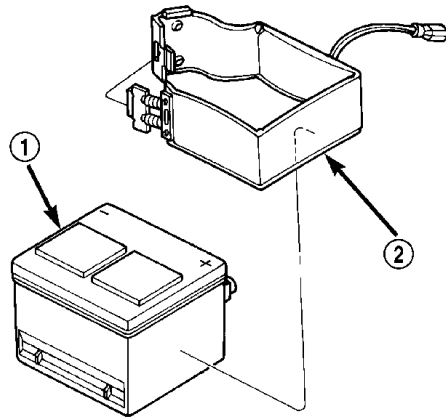
vehicle. It is located inside the lefthand wheelwell behind a protective shield. The battery is accessible without removing the wheel and tire assembly.

1. Verify that ignition switch and all accessories are "OFF."
2. Turn steering wheel to full left position.
3. Disconnect and isolate battery ground cable from remote terminal on shock tower, **Fig. 1**.
4. Twist four plastic screws one quarter turn to release shield.
5. Disconnect battery blanket heater cord, if equipped, **Fig. 2**.
6. Remove battery ground cable, then remove battery positive cable.
7. Remove bolt attaching battery strap to battery hold down bracket.
8. Remove hold down bracket bolt.
9. Slide battery to rear of tray and lift over lip. Use care not to tip battery; this will prevent acid from spilling out.
10. Remove battery.
11. Remove battery blanket heater if equipped.

## Installation

Do not over tighten battery cable clamps, or damage to clamps can result.

1. Reverse procedure to install, noting the following:
  - a. Connect battery positive cable first, then connect battery ground cables.
  - b. **Torque** battery clamp nuts to 150 inch lbs.



BTY120000000572

**Fig. 2 Battery blanket heater removal**

---

The material herein may not be used without the prior express written permission of the copyright holder, including, but not limited to reproduction or transmission in any form by any means such as electronic, mechanical, photocopying, recording or otherwise; nor may it be stored on any retrieval system of any nature.

"The data reported herein has been compiled from authoritative sources. While every effort is made by the analysts to attain accuracy, manufacturing changes as well as typographical errors and omissions may occur on occasion. The publisher cannot be responsible nor does it assume any responsibility whatsoever for such omissions, errors or changes."

---

**MOTOR INFORMATION SYSTEMS**  
**MOTOR is a trademark of Hearst Business Media**  
**A Unit of Hearst Corporation**  
**1301 W. Long Lake, Suite 300**  
**Troy, MI 48098**

Copyright © 2012 Hearst Business Media. All rights reserved.

---