

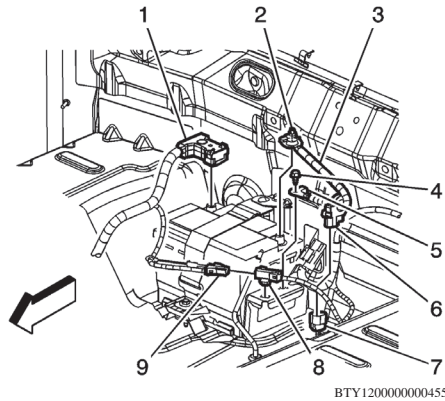
# CHEVROLET 2006-10 Cobalt

## PRECAUTIONS

**Warning:** Batteries produce explosive gases, contain corrosive acid, and supply levels of electrical current high enough to cause burns. Therefore, to reduce the risk of personal injury when working near a battery: Always shield your eyes and avoid leaning over the battery whenever possible; do not expose the battery to open flames or sparks; do not allow the battery electrolyte to contact the eyes or skin; flush immediately and thoroughly any contacted areas with water, and get medical help.

**Warning:** Unless directed otherwise, the ignition and start switch must be in the OFF or LOCK position, and all electrical loads must be OFF before servicing any electrical component. Disconnect the battery ground cable to prevent an electrical spark should a tool or equipment come in contact with an exposed electrical terminal. Failure to follow these precautions may result in personal injury and/or damage to the vehicle or its components.

For vehicles equipped with OnStar® (UE1) with Back Up Battery, the back up battery is a redundant power supply to allow limited OnStar® functionality in the event of a main vehicle battery power disruption to the VCIM (OnStar® module). Do not disconnect the main vehicle battery or remove the OnStar® fuse with the ignition key in any position other than OFF. Retained Accessory Power (RAP) should be allowed to time out or be disabled (simply opening the driver door should disable RAP) before disconnecting power. Disconnecting power to the OnStar® module in any way while the ignition is ON or with RAP activated may



**Fig. 1 Battery cable disconnection**

cause activation of the OnStar® Back Up Battery (BUB) system and will discharge and permanently damage the BUB. Once the BUB is activated, it will stay on until it has completely discharged. The BUB is not rechargeable and, once activated, the BUB must be replaced.

## BATTERY Removal

**Caution:** When performing service on or near the SIR components or the SIR wiring, the SIR system must be disabled. Failure to observe the correct procedure could cause deployment of the SIR components, personal injury, or unrequired SIR system repairs.

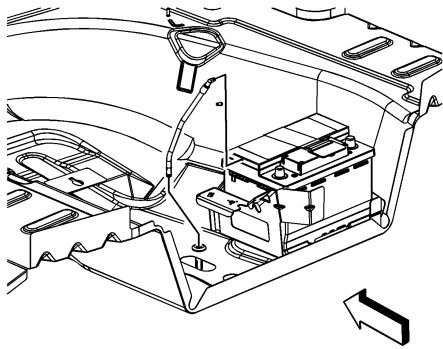
1. Remove rear compartment floor mat.
2. Record radio anti-theft code and station presets.
3. Turn off all lamps and accessories.

4. Turn ignition switch to OFF position.
5. Loosen battery ground cable bolt (2), **Fig. 1**.
6. Disconnect battery ground cable (3) from battery, **Fig. 1**.
7. Open positive battery cable cover.
8. Loosen battery positive cable bolt.
9. Remove battery positive cable (1) from battery, **Fig. 1**.
10. Remove battery vent tube from battery, **Fig. 2**.
11. Remove battery hold down retainer bolt (1), **Fig. 3**.
12. Remove battery strap (2) and hold down retainer (3), **Fig. 3**.
13. Remove battery from vehicle. Do not tip battery more than 40 degrees during removal.

## Installation

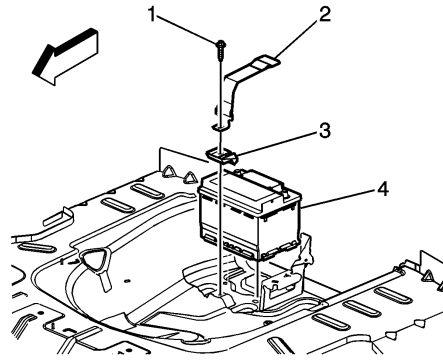
Clean any existing oxidation from the contact face of the battery terminal and battery cable using a wire brush before installing the battery cable to the battery terminal.

1. Install battery to vehicle. Do not tip battery more than 40 degrees during installation.
2. Install battery hold down retainer (3) and strap (2), **Fig. 3**. **Torque** bolt to 13 ft. lbs.
3. Install battery hold down retainer bolt, and **torque** to 18 ft. lbs.
4. Install battery vent tube to battery, **Fig. 2**.
5. Connect battery positive cable (1) to battery, **Fig. 1**. **Torque** battery cable bolt to 13 ft. lbs.
6. Connect battery ground cable (2) to battery, **Fig. 1**. **Torque** battery cable bolt to 13 ft. lbs.
7. Install rear compartment floor mat.
8. Reset all preset and theft codes previously recorded to radio.



BTY120000000456

**Fig. 2 Battery vent tube removal**



BTY120000000454

**Fig. 3 Battery removal**

---

The material herein may not be used without the prior express written permission of the copyright holder, including, but not limited to reproduction or transmission in any form by any means such as electronic, mechanical, photocopying, recording or otherwise; nor may it be stored on any retrieval system of any nature.

"The data reported herein has been compiled from authoritative sources. While every effort is made by the analysts to attain accuracy, manufacturing changes as well as typographical errors and omissions may occur on occasion. The publisher cannot be responsible nor does it assume any responsibility whatsoever for such omissions, errors or changes."

"Portions of materials herein have been reprinted with permission of General Motors Company, Service Technology Group"

---

**MOTOR INFORMATION SYSTEMS**  
**MOTOR is a trademark of Hearst Business Media**  
**A Unit of Hearst Corporation**  
**1301 W. Long Lake, Suite 300**  
**Troy, MI 48098**

Copyright © 2012 Hearst Business Media. All rights reserved.