

BUICK

2005-07 Terraza

PRECAUTIONS

Warning: When performing service on or near the SIR components or the SIR wiring, the SIR system must be disabled. Failure to observe the correct procedure could cause deployment of the SIR components, personal injury, or unrequired SIR system repairs.

Warning: Batteries generate hydrogen gas, which is extremely flammable and may explode violently if ignited by a spark or a flame. Battery acid is extremely corrosive and causes severe personal injury if the acid comes into contact with the skin, and blindness if the acid comes into contact with the eyes. In order to avoid severe personal injury, use extreme caution when servicing the battery or battery-related components.

Warning: Unless directed otherwise, the ignition and start switch must be in the OFF or LOCK position, and all electrical loads must be OFF before servicing any electrical component. Disconnect the battery ground cable to prevent an electrical spark should a tool or equipment come in contact with an exposed electrical terminal. Failure to follow these precautions may result in personal injury and/or damage to the vehicle or its components.

For vehicles equipped with OnStar® (UE1) with Back Up Battery: The back up battery is a redundant power supply to allow limited OnStar® functionality in the event of a main vehicle battery power disruption to the VCIM (OnStar® module). Do not disconnect the main vehicle battery or remove the OnStar® fuse with the ignition key in any position other than OFF. Retained Accessory Power (RAP) should be allowed to time out or be disabled (simply opening the driver door should disable RAP) before disconnecting power. Disconnecting power to the OnStar® module in any way while the ignition is On or with RAP activated may cause activation of the OnStar® Back Up Battery (BUB) system and will discharge and permanently damage the BUB. Once

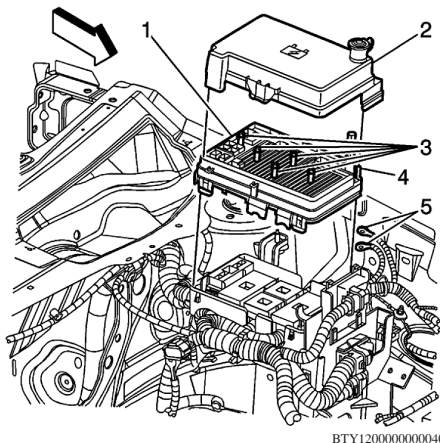


Fig. 1 Underhood electrical center

the BUB is activated, it will stay on until it has completely discharged. The BUB is not rechargeable and, once activated, the BUB must be replaced.

BATTERY Removal

1. Record all of customer radio station presets.
2. Turn off all lamps and accessories.
3. Turn ignition OFF.
4. Remove underhood electrical center cover (1), **Fig. 1**.
5. Remove underhood electrical center mounting bolts (3), **Fig. 1**.
6. Remove battery ground cable from battery.
7. Remove righthand front end sheet metal diagonal brace bolt at cowl panel (2), **Fig. 2**.
8. Remove righthand front end sheet metal diagonal brace bolts at radiator panel (3), **Fig. 2**.
9. Open battery positive cable cover (5), **Fig. 3**.
10. Loosen battery positive cable nut (3), **Fig. 3**.
11. Remove battery positive cable from battery.
12. Remove battery hold down retainer bolt (3), **Fig. 4**.
13. Remove battery hold down retainer (2), **Fig. 4**.
14. Remove battery (1), **Fig. 4**.

Installation

1. Install battery (1) and ensure that battery is positioned properly in battery tray, **Fig. 4**.
2. Install battery hold down retainer.
3. Install battery hold down retainer bolt. **Torque** bolt to 13 ft. lbs.
4. Install positive battery cable to battery.
5. Tighten positive battery cable nut. **Torque** bolt to 13 ft. lbs.
6. Close positive battery cable cover.
7. Install righthand front end sheet metal diagonal brace, **Fig. 2**. **Torque** bolts to 35 ft. lbs.
8. Install underhood electrical center cover.
9. Ensure that all three connectors are secured to base by applying light downward pressure to each connector and ensuring tabs are locked on each side of connector.
10. Position new underhood accessory wiring junction block assembly over top of base, and align locator pins to underhood accessory wiring junction block assembly base.
11. Once aligned, apply downward pressure to new underhood accessory wiring junction block assembly in order to secure top half to base.
12. Inspect two outer locking tabs to ensure new underhood accessory wiring junction block assembly is locked into lower base.
13. Install underhood electrical center cover to electrical center base.
14. Install battery ground cable to battery.
15. **Torque** nut to 12 ft. lbs.
16. Reprogram radio presets.
17. Re-initialize power sliding doors using scan tool.

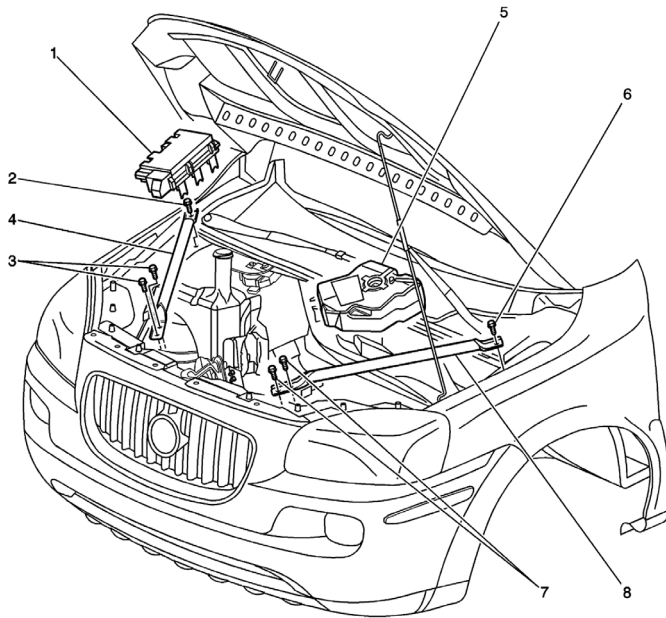


Fig. 2 Righthand front end sheet metal diagonal brace

BTY120000000041

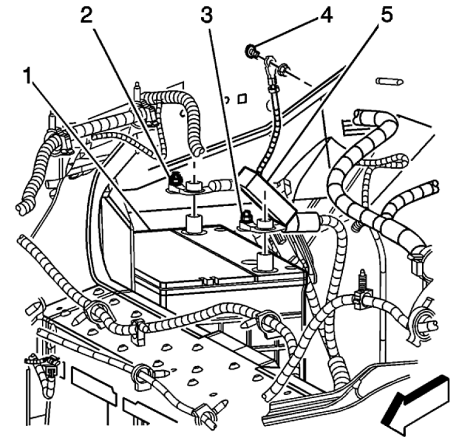


Fig. 3 Battery positive cable

BTY120000000042

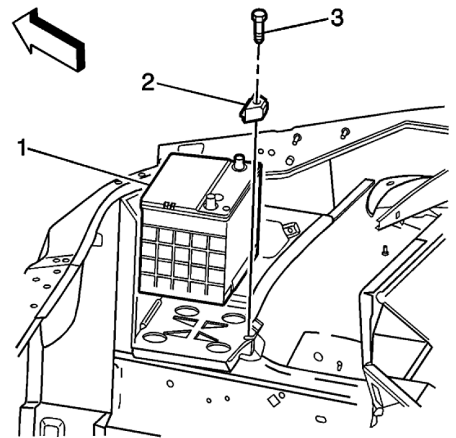


Fig. 4 Battery hold down

BTY120000000043

The material herein may not be used without the prior express written permission of the copyright holder, including, but not limited to reproduction or transmission in any form by any means such as electronic, mechanical, photocopying, recording or otherwise; nor may it be stored on any retrieval system of any nature.

"The data reported herein has been compiled from authoritative sources. While every effort is made by the analysts to attain accuracy, manufacturing changes as well as typographical errors and omissions may occur on occasion. The publisher cannot be responsible nor does it assume any responsibility whatsoever for such omissions, errors or changes."

"Portions of materials herein have been reprinted with permission of General Motors Company, Service Technology Group"

MOTOR INFORMATION SYSTEMS
MOTOR is a trademark of Hearst Business Media
A Unit of Hearst Corporation
1301 W. Long Lake, Suite 300
Troy, MI 48098

Copyright © 2012 Hearst Business Media. All rights reserved.