

# AUDI

## 2001-06 TT & TT Quattro 1.8L

### PRECAUTIONS

**Warning:** Acid has strong corrosive properties. If batteries are handled inappropriately, there is a risk that personal injury may result from exposure to harmful electrolyte influences.

**Warning:** If electrolyte drips out from battery, skin can be burned by acid, and vehicle may be affected by acid erosion and corrosion. It is a possibility that safety-related vehicle components can be damaged.

**Warning:** The gas resulting from charging and partially after charging is explosive. In extreme cases, if battery is handled inappropriately, the emitted gases may cause the battery to explode.

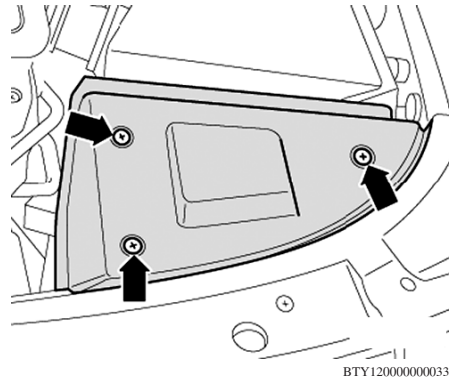
**Warning:** Danger of personal injury when engine starts automatically. When Start/Stop System is activated (indicator lamp in instrument cluster is on), the engine can start up automatically. Always ensure Start/Stop System is deactivated whenever working on vehicle. Switch off ignition.

**Caution:** Only perform battery procedures in suitable and well-ventilated locations.

**Note:** The ABS lamp may be illuminated after reconnecting battery, but will go out after vehicle is driven a short period.

### BATTERY Removal

1. Record anti-theft radio security code and radio station presets.
2. Turn off all lamps and accessories.
3. Turn ignition switch to OFF position.
4. Release fasteners (arrows) and remove battery cover, **Fig. 1**.

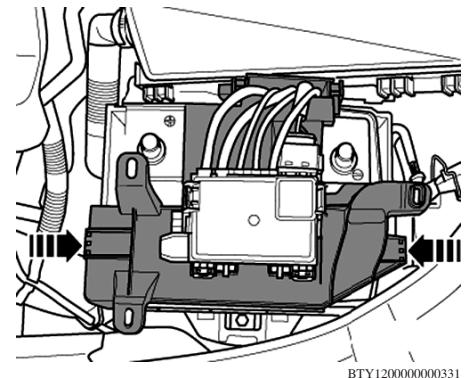


**Fig. 1 Battery cover removal**

5. **On models equipped with version I fuse panel**, perform the following:
  - a. Disconnect ground terminal from battery.
  - b. Disconnect positive terminal from battery.
  - c. Depress fuse panel retainers (arrows) and fold fuse panel to rear, **Fig. 2**.
6. **On models equipped with version II fuse panel**, perform the following:
  - a. Disconnect ground terminal from battery.
  - b. Disconnect positive terminal from battery.
  - c. Depress fuse panel retainer using screwdriver (arrows) and fold fuse panel to rear, **Fig. 3**.
7. **On all models**, remove battery hold-down bracket bolt (1), **Fig. 4**.
8. Remove battery hold-down bracket (2), **Fig. 4**.
9. Carefully lift battery from carrier.

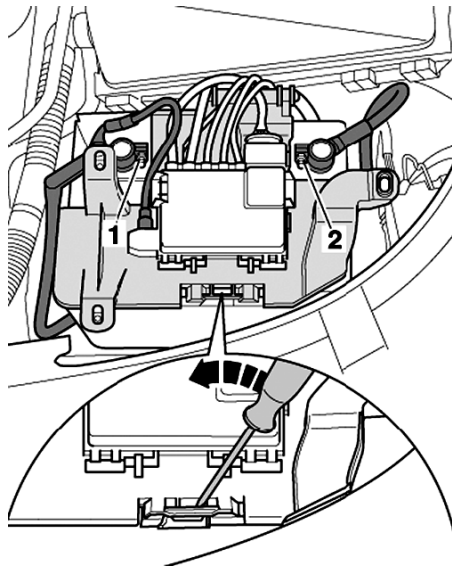
### Installation

1. Carefully lift battery onto carrier.
2. Install battery so battery carrier lug

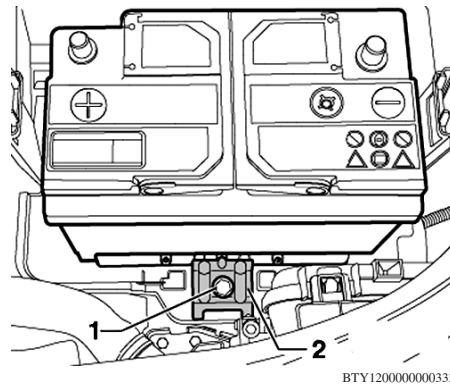


**Fig. 2 Fuse panel removal. Version I**

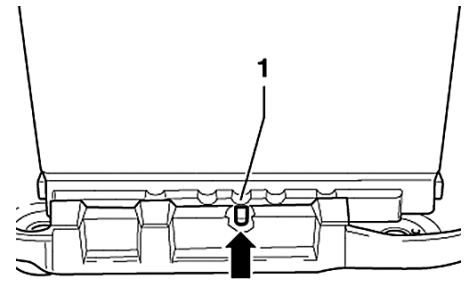
- (arrow) engages in battery foot strip cut out (1), **Fig. 5**. Battery is inserted correctly when center cut out in battery foot strip aligns with threaded hole in battery carrier. It must not be possible to move battery to lefthand or righthand sides.
3. Fit battery hold-down bracket.
4. Install battery hold-down bracket bolt, and **torque** bolt to 15 ft. lbs.
5. Connect ground terminal to battery, and **torque** bolt to 53 inch lbs.
6. Connect positive terminal to battery, and **torque** bolt to 53 inch lbs.
7. Install fuse panel and bracket.
8. Install battery cover.
9. Activate power window regulator one-touch up/down function. Refer to owner's manual for more information.
10. Synchronize remote control. Refer to owner's manual for more information.
11. Inspect any affected system or component such as clock, comfort adjustment, or compass for proper settings, and adjust as required.



**Fig. 3 Fuse panel removal.  
Version II**



**Fig. 4 Battery removal**



**Fig. 5 Battery installation**

The material herein may not be used without the prior express written permission of the copyright holder, including, but not limited to reproduction or transmission in any form by any means such as electronic, mechanical, photocopying, recording or otherwise; nor may it be stored on any retrieval system of any nature.

"The data reported herein has been compiled from authoritative sources. While every effort is made by the analysts to attain accuracy, manufacturing changes as well as typographical errors and omissions may occur on occasion. The publisher cannot be responsible nor does it assume any responsibility whatsoever for such omissions, errors or changes."

"Portions of materials contained herein have been reprinted under license from Volkswagen of America, Inc., License Agreement 08500VWA."

**MOTOR INFORMATION SYSTEMS**  
**MOTOR is a trademark of Hearst Business Media**  
**A Unit of Hearst Corporation**  
**1301 W. Long Lake, Suite 300**  
**Troy, MI 48098**

Copyright © 2012 Hearst Business Media. All rights reserved.