

AUDI

2001-05 Allroad Quattro

PRECAUTIONS

Warning: Acid has strong corrosive properties. If batteries are handled inappropriately, there is a risk that personal injury may result from exposure to harmful electrolyte influences.

Warning: If electrolyte drips out from battery, skin can be burned by acid, and vehicle may be affected by acid erosion and corrosion. It is a possibility that safety-related vehicle components can be damaged.

Warning: The gas resulting from charging and partially after charging is explosive. In extreme cases, if battery is handled inappropriately, the emitted gases may cause battery to explode.

Caution: Only perform battery procedures in suitable and well-ventilated locations.

BATTERY Removal

Warning: On models equipped with Audi Telematics, the emergency (back-up) battery for the telematic control module must be switched off prior to disconnecting vehicle battery. A suitable scan tool is required to switch off the emergency (back-up) battery.

1. Record radio anti-theft security code and station presets.
2. Turn off all lamps and accessories.
3. Turn ignition switch to OFF position.
4. Turn latches (arrows) counterclockwise and remove from battery cover (1), **Fig. 1**.
5. Lift and remove battery cover.

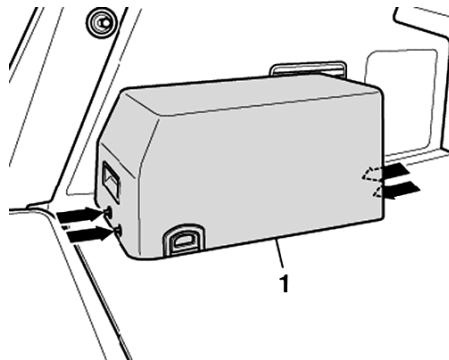


Fig. 1 Battery cover removal

6. Disconnect ground terminal (3) from battery post by loosening hex nut, **Fig. 2**.
7. Flip up positive cover (2), **Fig. 2**.
8. Disconnect positive terminal (1) from battery post by loosening hex nut, **Fig. 2**.
9. Remove central vent hose (4), **Fig. 2**.
10. Remove battery bracket mounting bolts (5 and 6), **Fig. 2**.
11. Remove battery hold down brackets.
12. Remove battery from vehicle.

Installation

Warning: On models equipped with Audi Telematics, the emergency (back-up) battery for the telematic control module must be switched on after connecting vehicle battery. A suitable scan tool is required to switch on the emergency (back-up) battery.

1. Turn off all lamps and accessories.
2. Turn ignition switch to OFF position.
3. Install battery so that battery carrier lug

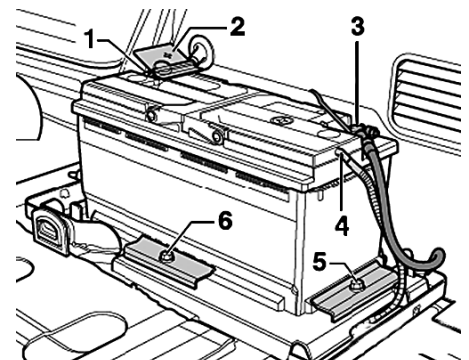


Fig. 2 Battery removal

- engages in battery mounting strip on battery tray.
4. Install central vent hose (4), **Fig. 2**.
5. Reinstall battery hold-down bracket, and **torque** bolts (5 and 6) to 11 ft. lbs., **Fig. 2**.
6. Connect positive terminal (1) to battery post, and **torque** hex nut to 53 inch lbs., **Fig. 2**.
7. Connect ground terminal (3) to battery post, and **torque** hex nut to 53 inch lbs., **Fig. 2**.
8. Install battery cover.
9. Program anti-theft security code and station presets into radio.
10. Activate power window regulator one-touch up/down function. Refer to owner's manual for more information.
11. Synchronize remote control. Refer to owner's manual for more information.
12. Inspect any affected system or component such as clock, comfort adjustment, or compass for proper settings, and adjust as required.

The material herein may not be used without the prior express written permission of the copyright holder, including, but not limited to reproduction or transmission in any form by any means such as electronic, mechanical, photocopying, recording or otherwise; nor may it be stored on any retrieval system of any nature.

"The data reported herein has been compiled from authoritative sources. While every effort is made by the analysts to attain accuracy, manufacturing changes as well as typographical errors and omissions may occur on occasion. The publisher cannot be responsible nor does it assume any responsibility whatsoever for such omissions, errors or changes."

"Portions of materials contained herein have been reprinted under license from Volkswagen of America, Inc., License Agreement 08500VWA."

MOTOR INFORMATION SYSTEMS
MOTOR is a trademark of Hearst Business Media
A Unit of Hearst Corporation
1301 W. Long Lake, Suite 300
Troy, MI 48098

Copyright © 2012 Hearst Business Media. All rights reserved.