

AUDI

2003-08 A4 & A4 Quattro

PRECAUTIONS

Warning: Acid has strong corrosive properties. If batteries are handled inappropriately, there is a risk that personal injury may result from exposure to electrolyte.

Warning: If electrolyte drips out from battery, skin can be burned by acid, and vehicle may be affected by acid erosion and corrosion. It is a possibility that safety-related vehicle components can be damaged.

Warning: The gas resulting from charging and partially after charging is explosive. In extreme cases, if the battery is handled inappropriately, the emitted gases may cause battery to explode.

Warning: Danger of personal injury when engine starts automatically. When Start/Stop System is activated (indicator lamp in instrument cluster is on), engine can start up automatically. Always ensure Start/Stop System is deactivated whenever working on vehicle. Switch off ignition.

Caution: Only perform battery procedures in suitable and well-ventilated locations.

Note: The ABS lamp may be illuminated after reconnecting battery but will go out after vehicle is driven for a short period.

BATTERY

Located In Engine Compartment

REMOVAL

Warning: On models equipped with Audi Telematics, the emergency (back-up) battery for the telematic control module must be switched off prior to disconnecting vehicle battery. A suitable scan tool is required to switch off the emergency (back-up) battery.

1. Record radio station presets.
2. Turn off all lamps and accessories.
3. Turn ignition switch to OFF position.
4. Remove rubber seal from plenum chamber cover in direction of (arrow), **Fig. 1**.
5. Remove plenum chamber cover (1) from front, **Fig. 1**.
6. Disconnect ground cable (1) from battery, **Fig. 2**.

7. Disconnect positive cable (2) from battery, **Fig. 2**.
8. Remove bolt (4) from battery hold-down bracket (3), **Fig. 2**.
9. Disconnect angled connector of central gas venting system (arrow), **Fig. 3**.
10. Remove battery from plenum chamber.

INSTALLATION

Warning: On models equipped with Audi Telematics, the emergency (back-up) battery for the telematic control module must be switched on after connecting vehicle battery. A suitable scan tool is required to switch on the emergency (back-up) battery.

1. Insert battery in battery carrier so that lug at rear of battery carrier (arrow) engages in recess in battery base strip (1), **Fig. 4**. Battery has been properly inserted if center recess in battery base strip aligns with tapped hole in battery tray.
2. Install battery hold down bracket, and **torque** nut to 106 inch lbs.
3. Connect positive terminal (2) to battery post, and **torque** nut to 66 inch lbs.
4. Connect ground terminal (1) to battery post, and **torque** nut to 66 inch lbs.
5. Connect hose for central gas venting system.
6. Install plenum chamber cover and rubber seal.
7. Activate power window regulator one-touch up/down function. Refer to owner's manual for more information.
8. Synchronize remote control. Refer to owner's manual for more information.
9. Inspect any affected system or component such as clock, comfort adjustment, or compass for proper settings, and adjust as required.

Located In Luggage Compartment

REMOVAL

Warning: On models equipped with Audi Telematics, the emergency (back-up) battery for the telematic control module must be switched off prior to disconnecting vehicle battery. A suitable scan tool is required to switch off the emergency (back-up) battery.

1. Record radio station presets.
2. Turn off all lamps and accessories.
3. Turn ignition switch to OFF position.
4. Lift luggage compartment floor cover-

ing and secure.

5. Remove formed insert behind battery (5) upward (arrow), **Fig. 5**.
6. Disconnect ground terminal (6) from battery, **Fig. 5**.
7. Fold positive terminal cover (2) upward, **Fig. 5**.
8. Disconnect positive terminal (1) from battery, **Fig. 5**.
9. Disconnect central gas venting system hose (7), **Fig. 5**.
10. Remove bolt (4) from battery hold-down bracket (3), **Fig. 5**.
11. Remove battery from battery console retaining strip.
12. Lift battery out of luggage compartment.

INSTALLATION

Warning: On models equipped with Audi Telematics, the emergency (back-up) battery for the telematic control module must be switched on after connecting vehicle battery. A suitable scan tool is required to switch on the emergency (back-up) battery.

1. Insert battery in battery holder.
2. Battery clamping strip (1) must engage in battery holder mount (2), **Fig. 6**.
3. Position battery hold-down bracket (3), **Fig. 5**. Lug on battery retainer must engage in recess on battery base strip.
4. **Torque** mounting bolt (4) to 106 inch lbs.
5. Connect positive terminal (1) to battery, and **torque** nut to 66 inch lbs., **Fig. 5**.
6. Close positive terminal cover (2), **Fig. 5**.
7. Connect ground terminal (6) to battery, and **torque** nut to 66 inch lbs., **Fig. 5**.
8. Connect central gas venting system hose (7), **Fig. 5**.
9. Install formed insert behind battery (5), **Fig. 5**.
10. Position luggage compartment floor covering.
11. Activate power window regulator one-touch up/down function. Refer to owner's manual for more information.
12. Synchronize remote control. Refer to owner's manual for more information.
13. Reset all presets previously recorded to radio.
14. Inspect any affected system or component such as clock, comfort adjustment, or compass for proper settings, and adjust as required.

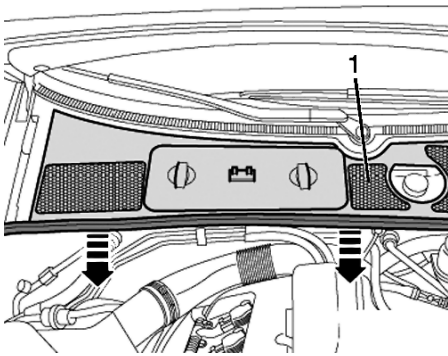


Fig. 1 Plenum chamber removal

BTY1200000000324

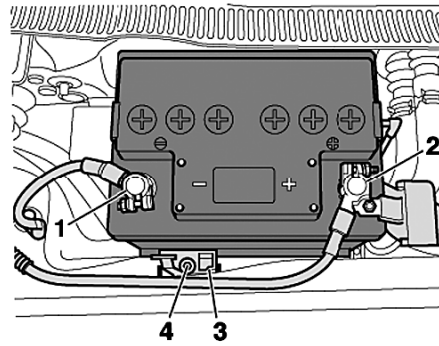


Fig. 2 Battery removal. Engine compartment

BTY1200000000325

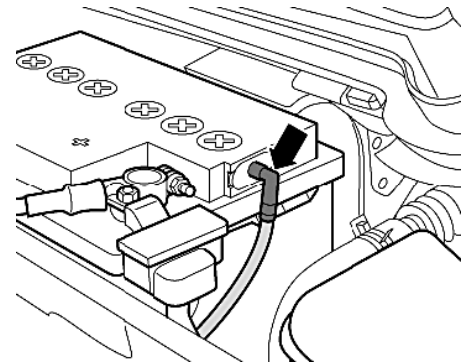


Fig. 3 Central vent removal

BTY1200000000326

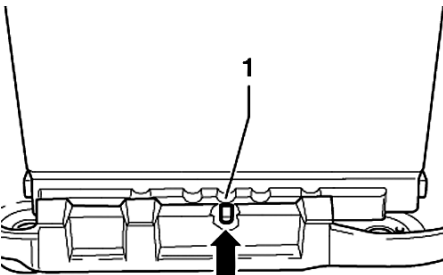


Fig. 4 Battery installation. Engine compartment

BTY1200000000327

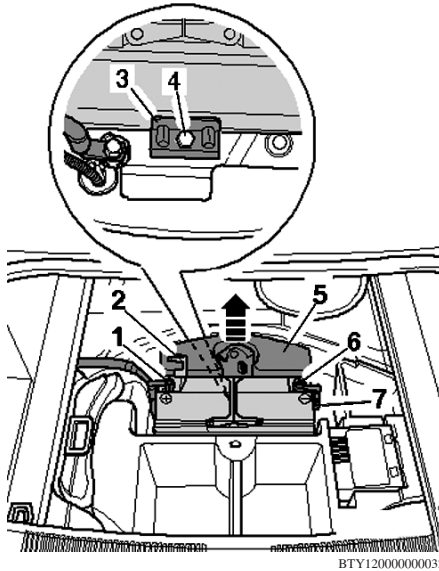


Fig. 5 Battery removal. Luggage compartment

BTY1200000000328

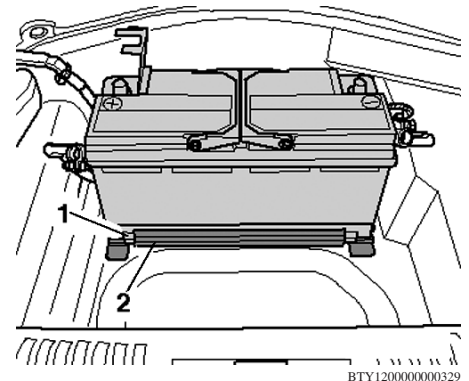


Fig. 6 Battery installation. Luggage compartment

BTY1200000000329

The material herein may not be used without the prior express written permission of the copyright holder, including, but not limited to reproduction or transmission in any form by any means such as electronic, mechanical, photocopying, recording or otherwise; nor may it be stored on any retrieval system of any nature.

"The data reported herein has been compiled from authoritative sources. While every effort is made by the analysts to attain accuracy, manufacturing changes as well as typographical errors and omissions may occur on occasion. The publisher cannot be responsible nor does it assume any responsibility whatsoever for such omissions, errors or changes."

"Portions of materials contained herein have been reprinted under license from Volkswagen of America, Inc., License Agreement 08500VWA."

MOTOR INFORMATION SYSTEMS
MOTOR is a trademark of Hearst Business Media
A Unit of Hearst Corporation
1301 W. Long Lake, Suite 300
Troy, MI 48098

Copyright © 2012 Hearst Business Media. All rights reserved.