

AUDI

2006-09 A3

PRECAUTIONS

Warning: Acid has strong corrosive properties. If batteries are handled inappropriately, there is a risk that personal injury may result from exposure to electrolyte.

Warning: If electrolyte drips out from battery, skin can be burned by acid, and vehicle may be affected by acid erosion and corrosion. It is a possibility that safety-related vehicle components can be damaged.

Warning: The gas resulting from charging and partially after charging is explosive. In extreme cases, if the battery is handled inappropriately, the emitted gases may cause battery to explode.

Warning: Danger of personal injury when engine starts automatically. When Start/Stop System is activated (indicator lamp in instrument cluster is on), engine can start up automatically. Always ensure Start/Stop System is deactivated whenever working on vehicle. Switch off ignition.

Caution: Only perform battery procedures in suitable and well-ventilated locations.

Note: The ABS lamp may be illuminated after reconnecting battery, but will go out after vehicle is driven a short period.

BATTERY

Located In Engine Compartment

REMOVAL

1. Record radio station presets.
2. Turn off all lamps and accessories.
3. Turn ignition switch to OFF position.
4. Remove battery cover (1) by pressing release button (arrow), **Fig. 1**.
5. **On models equipped with battery monitor**, disconnect connector from ground terminal clamp.
6. **On all models**, loosen nut (3) a few turns, and remove ground cable terminal clamp from battery terminal, **Fig. 2**.
7. Loosen nut (2) a few turns, and remove positive cable terminal clamp from battery terminal, **Fig. 2**.
8. Remove front portion (1) of battery cover, **Fig. 2**.
9. Pull battery jacket off.
10. Remove hex head bolt (2) on battery retaining bracket (1), **Fig. 3**.
11. Disconnect central venting system hose.
12. Remove battery from battery console clamping strip on battery tray.
13. Remove battery from engine compartment.

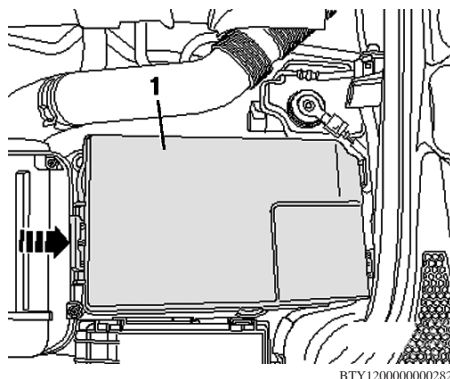


Fig. 1 Battery cover removal

INSTALLATION

1. Place battery into battery tray so that retainers on bottom of battery fit into retainer openings in battery tray (1), **Fig. 4**. It should not be possible to move battery. Battery is properly inserted when center notch of battery base reinforcement aligns with threaded hole in battery carrier.
2. Install battery bracket (1) and tighten bolt (2), **Fig. 3**.
3. Connect central venting system hose.
4. Connect positive cable terminal clamp (2) by hand to battery positive terminal and tighten nut, **Fig. 2**.
5. Install front portion (1) of battery jacket, **Fig. 2**.
6. Install battery jacket.
7. Install ground cable (3) on battery ground pole and tighten nut, **Fig. 2**.
8. **On models equipped with battery monitor**, connect connector to ground terminal clamp.
9. **On all models**, reset all presets previously recorded to radio.
10. Activate power window regulator one-touch up/down function. Refer to owner's manual for more information.
11. Synchronize remote control. Refer to owner's manual for more information.
12. Inspect any affected system or component such as clock, comfort adjustment, or compass for proper settings, and adjust as required.

Located In Luggage Compartment

REMOVAL

1. Record radio station presets.
2. Turn off all lamps and accessories.
3. Turn ignition switch to OFF position.
4. Remove rear molded insert (3), which holds vehicle tools located under luggage compartment floor, **Fig. 5**.
5. Remove battery cover (arrow), **Fig. 6**.
6. Remove molded insert on top of battery.

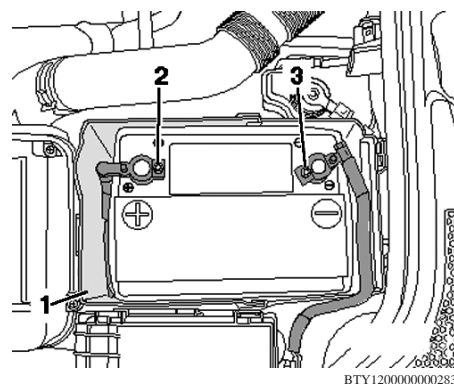


Fig. 2 Battery cable locations

7. Loosen nut (1) a few turns, and remove ground cable terminal clamp from battery terminal, **Fig. 7**.
8. Loosen nut (4) a few turns, and remove positive cable terminal clamp from battery terminal, **Fig. 7**.
9. Disconnect central gas venting system tube (5), **Fig. 7**.
10. Remove battery mounting bracket bolt (2) and bracket (3), **Fig. 7**.
11. Remove battery from battery console clamping strip on battery tray.
12. Lift battery out of righthand luggage compartment.

INSTALLATION

1. Place battery into battery tray so that retainers on bottom of battery fit into retainer openings in battery tray. It should not be possible to move battery. Battery is properly inserted when center notch of battery base reinforcement aligns with threaded hole in battery carrier.
2. Attach battery bracket (3) and tighten bolt (2), **Fig. 7**. Lug at battery bracket must engage in recess at battery base strip.
3. Connect central venting system hose (5), **Fig. 7**.
4. Connect positive cable terminal clamp (1) to battery positive terminal and tighten nut, **Fig. 7**.
5. Install ground cable (4) on battery ground terminal and tighten nut, **Fig. 7**.
6. Install molded insert on top of battery.
7. Install battery cover (arrow), **Fig. 6**.
8. Install rear molded insert (3), **Fig. 5**.
9. Activate power window regulator one-touch up/down function. Refer to owner's manual for more information.
10. Synchronize remote control. Refer to owner's manual for more information.
11. Reset all presets previously recorded to radio.
12. Inspect any affected system or component such as clock, comfort adjustment, or compass for proper settings, and adjust as required.

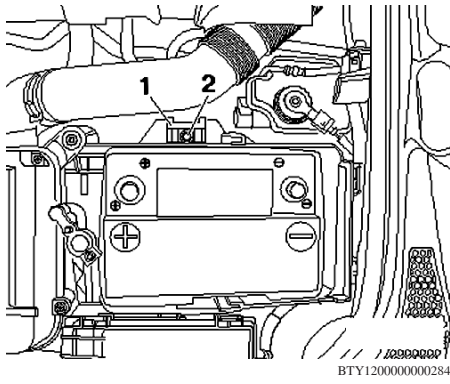


Fig. 3 Battery removal. Engine compartment

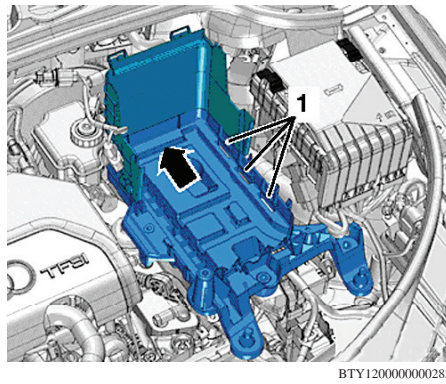


Fig. 4 Battery installation

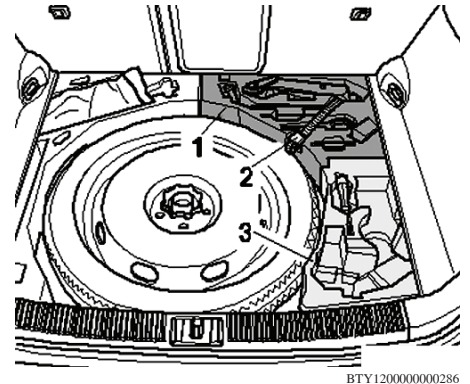


Fig. 5 Rear insert location

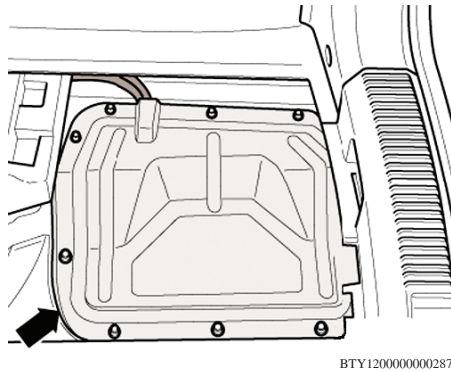


Fig. 6 Battery cover removal

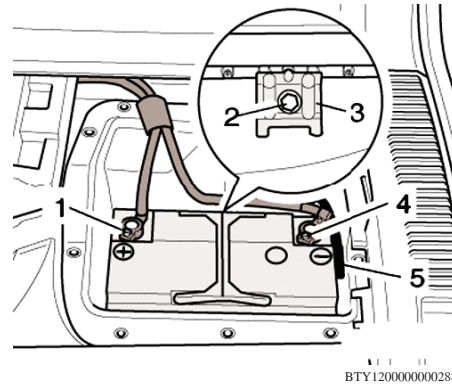


Fig. 7 Battery removal. Luggage compartment

The material herein may not be used without the prior express written permission of the copyright holder, including, but not limited to reproduction or transmission in any form by any means such as electronic, mechanical, photocopying, recording or otherwise; nor may it be stored on any retrieval system of any nature.

"The data reported herein has been compiled from authoritative sources. While every effort is made by the analysts to attain accuracy, manufacturing changes as well as typographical errors and omissions may occur on occasion. The publisher cannot be responsible nor does it assume any responsibility whatsoever for such omissions, errors or changes."

"Portions of materials contained herein have been reprinted under license from Volkswagen of America, Inc., License Agreement 08500VWA."

MOTOR INFORMATION SYSTEMS
MOTOR is a trademark of Hearst Business Media
A Unit of Hearst Corporation
1301 W. Long Lake, Suite 300
Troy, MI 48098

Copyright © 2012 Hearst Business Media. All rights reserved.