

VOLVO

2003-14 XC90

PRECAUTIONS

Warning: Batteries produce explosive hydrogen gas. Do not allow open flames, burning materials, or sparks near the battery.

Warning: Batteries contain sulfuric acid. Avoid contact with skin, eyes or clothing. Wear safety goggles when working near the battery to protect against possible splashing of the acid solution.

Warning: If acid is swallowed, rinse the mouth with plenty of water and then drink plenty of water or milk. Do not induce vomiting. Seek immediate medical attention.

Warning: When charging the battery, protect face and wear safety goggles. Ensure adequate ventilation.

Warning: In principle, all batteries can cause serious injury if they are short-circuited by, for example, jewelry or metal tools.

Warning: The Supplemental Restraint System (SRS) is active for a certain length of time after the power supply has been disconnected. Wait for a minimum of 3 minutes before disconnecting or removing any SRS components.

Warning: When switching the ignition on for the first time after a battery disconnect and connect, stand outside the vehicle and reach into the vehicle, keeping clear of the air bags operating areas.

Caution: Boost charging with excessive current or voltage above 16 volts will damage the battery.

BATTERY

Removal

1. Record radio anti-theft code and station presets.
2. Turn off all lamps and accessories.
3. Turn ignition switch to OFF position.
4. Fold up floor hatch.
5. Unhook hatch strap.
6. Push floor hatch and compartment to one side.
7. Remove nut securing mounting bracket to floor, **Fig. 1**.
8. Remove screws holding mounting bracket against rear crossmember, **Fig. 1**.
9. Remove battery mounting bracket, **Fig. 1**.
10. Remove protective cover, **Fig. 1**.
11. Remove drain hose from side of battery.

12. Loosen ground terminal clamp, and remove ground cable.
13. Loosen positive terminal clamp, and remove positive cable.
14. Remove battery hold down bracket, **Fig. 1**.
15. Remove battery from vehicle.

Installation

1. Install battery into position.
2. Install battery hold down bracket and tighten.
3. Connect battery positive cable and tighten.
4. Connect battery ground cable and tighten.
5. Connect battery drain hose.
6. Install battery protective cover, **Fig. 1**.
7. Install battery mounting bracket and tighten screws, **Fig. 1**.
8. Install battery bracket nut, **Fig. 1**.
9. Hook strap into place and close floor compartment hatch.
10. Reset all preset and theft codes previously recorded to radio.
11. Completely open and close all power windows.
12. Inspect any affected system or component such as clock, comfort adjustment, or compass for proper settings, and adjust as required.

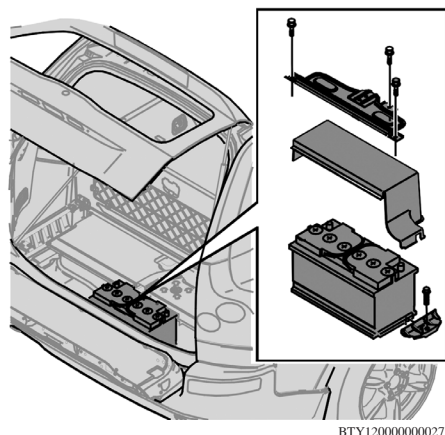


Fig. 1 Battery removal

The material herein may not be used without the prior express written permission of the copyright holder, including, but not limited to reproduction or transmission in any form by any means such as electronic, mechanical, photocopying, recording or otherwise; nor may it be stored on any retrieval system of any nature.

"The data reported herein has been compiled from authoritative sources. While every effort is made by the analysts to attain accuracy, manufacturing changes as well as typographical errors and omissions may occur on occasion. The publisher cannot be responsible nor does it assume any responsibility whatsoever for such omissions, errors or changes."

"This product contains material that is reproduced and distributed under a license from Land Rover, Volvo, Ford & Jaguar. No further reproduction or distribution of this material is allowed without the express written permission of Land Rover, Volvo, Ford or Jaguar."

MOTOR INFORMATION SYSTEMS
MOTOR is a trademark of Hearst Business Media
A Unit of Hearst Corporation
1301 W. Long Lake, Suite 300
Troy, MI 48098

Copyright © 2015 Hearst Business Media. All rights reserved.
