

VOLKSWAGEN 2010-14 CC 2.0L

PRECAUTIONS

Warning: Acid has strong corrosive properties. If batteries are handled inappropriately, there is a risk that personal injury may result from exposure to harmful electrolyte influences. Therefore, suitable remedies for acid damage must be kept readily available. Soapy water would be a suitable remedy.

Warning: If electrolyte drips out from the battery, skin can be burned by acid, and the vehicle may be affected by acid erosion and corrosion. It is a possibility that safety-related vehicle components can be damaged.

Warning: The gas resulting from charging and partially after charging is explosive. In extreme cases, if the battery is handled inappropriately, the emitted gases may cause the battery to explode.

Warning: Producing sparks by sanding, welding, cutting and open flames, as well as smoking near a battery, is forbidden. Producing sparks through electrostatic discharge must also be avoided. Always touch the vehicle body before touching the battery.

Caution: Only perform battery procedures in suitable and well-ventilated locations.

Caution: Always ensure vehicle electrical system is protected by disconnecting battery ground terminal prior to servicing key areas of the electrical system. Disconnecting battery positive terminal must only be performed as required to remove battery from vehicle, and must only be carried out after ground terminal is disconnected.

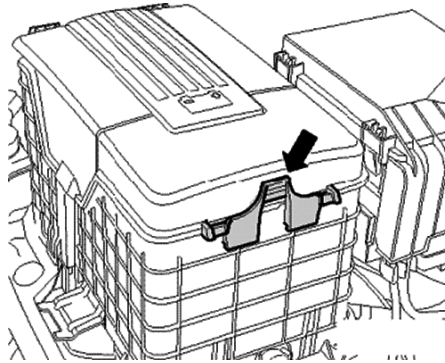


Fig. 1 Battery box cover removal

BATTERY Removal

1. Unlock vehicle with unlock button on radio-frequency remote control or Keyless Access to disable anti-theft alarm system.
2. Record radio anti-theft code and station presets.
3. Turn off all lamps and accessories.
4. Turn ignition switch to OFF position.
5. Open locking mechanism (arrow), and remove battery box cover, **Fig. 1**.
6. Loosen and remove battery ground cable (1), **Fig. 2**.
7. Loosen and remove battery positive cable (2), **Fig. 2**.
8. Pull out battery box panel upward (arrow) and remove, **Fig. 3**.
9. Remove battery mounting bolt (1), **Fig. 4**.
10. Remove battery retaining bracket (2), **Fig. 4**.
11. Fold handles upward (arrows), and lift out battery, **Fig. 5**.

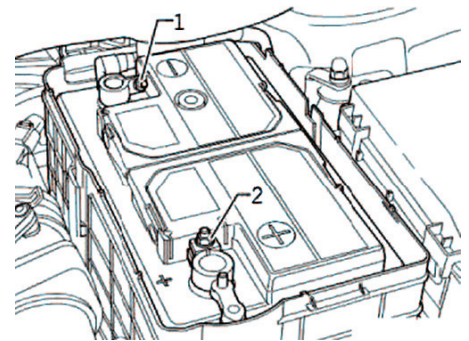
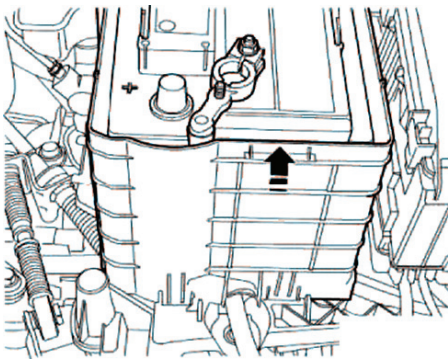


Fig. 2 Battery cable removal

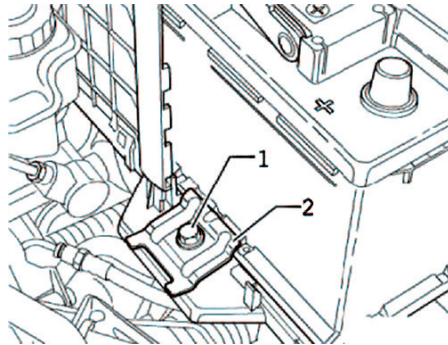
Installation

1. Set battery into position, and ensure it is fully seated.
2. Install battery retaining bracket (2), **Fig. 4**.
3. Install battery mounting bolt (1), and **torque** to 14 ft. lbs, **Fig. 4**.
4. Install battery box panel, **Fig. 3**.
5. Install battery positive cable (1), and **torque** bolt to 53 inch lbs., **Fig. 2**.
6. Install battery ground cable (1), and **torque** bolt to 53 inch lbs., **Fig. 2**.
7. Install battery box cover, and close locking mechanism (arrow), **Fig. 1**.
8. Reset all preset and theft codes previously recorded to radio.
9. Inspect any affected system or component such as clock, comfort adjustment, or compass for proper settings, and adjust as required.



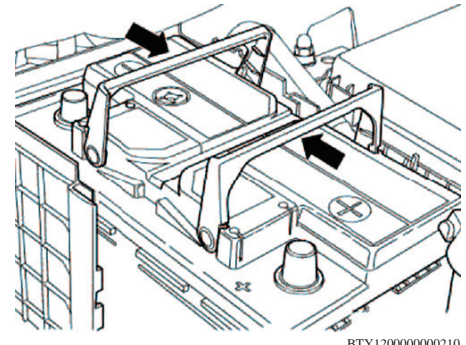
BTY120000000208

Fig. 3 Battery box panel removal



BTY120000000209

Fig. 4 Battery mounting removal



BTY120000000210

Fig. 5 Battery removal

The material herein may not be used without the prior express written permission of the copyright holder, including, but not limited to reproduction or transmission in any form by any means such as electronic, mechanical, photocopying, recording or otherwise; nor may it be stored on any retrieval system of any nature.

"The data reported herein has been compiled from authoritative sources. While every effort is made by the analysts to attain accuracy, manufacturing changes as well as typographical errors and omissions may occur on occasion. The publisher cannot be responsible nor does it assume any responsibility whatsoever for such omissions, errors or changes."

"Portions of materials contained herein have been reprinted under license from Volkswagen Group of America, Inc., License Agreement 12500VWA."

MOTOR INFORMATION SYSTEMS
MOTOR is a trademark of Hearst Business Media
A Unit of Hearst Corporation
1301 W. Long Lake, Suite 300
Troy, MI 48098

Copyright © 2015 Hearst Business Media. All rights reserved.