

NISSAN

2009-14 Murano

PRECAUTIONS

The battery surface (particularly its top) should always be kept clean and dry.

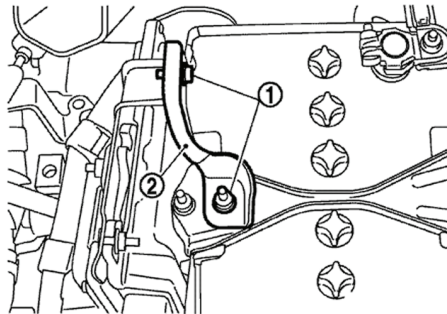
The terminal connections should be clean and tight.

When battery cable is disconnected from ground terminal or when battery voltage becomes 10V or less, setting of automatic temperature control switch, automatic drive positioner, power window control, rear view monitor and automatic back door system memory functions may be cancelled. Re-setting of these systems may be required.

BATTERY

Removal

1. Remove air inlet duct.
2. Remove nut and bolt (1), and remove bracket (2) from battery fix frame, **Fig. 1**.
3. Remove cover of battery positive terminal.
4. **On models equipped with terminal with fusible link**, proceed as follows:
 - a. Disconnect ground cable from battery terminal.
 - b. Remove harness mounting nut (1) to disconnect harness connectors (2), **Fig. 2**.
 - c. Remove fusible link holder mounting nut (3) to remove battery terminal with fusible link (4), **Fig. 2**.



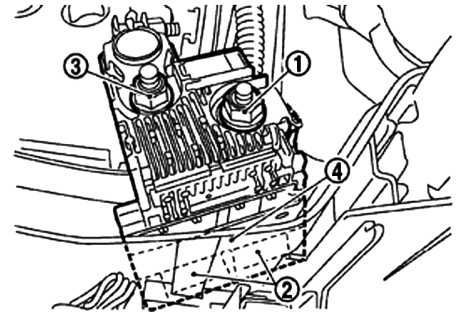
BTY120000000785

Fig. 1 Battery bracket removal

5. **On models less terminal with fusible link**, loosen battery terminal nuts (1), and disconnect both battery cables from battery terminals. When disconnecting, disconnect battery ground cable from terminal first, **Fig. 3**.
6. **On all models**, remove battery fix frame mounting nuts (2) and battery fix frame (3), **Fig. 3**.
7. Remove battery.

Installation

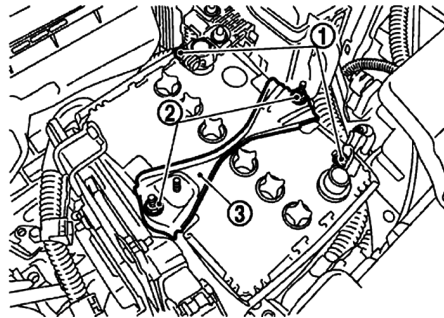
1. Install battery.
2. Install battery fix frame.
3. **Torque** battery fix frame mounting nuts to 35 inch lbs.
4. **On models equipped with terminal with fusible link**, proceed as follows:
 - a. Connect both battery cables to battery terminals. When connecting, connect battery cable to positive terminal first.



BTY120000000787

Fig. 2 Terminal with fusible link removal

- b. Install fusible link holder.
- c. **Torque** fusible link holder mounting nut to 10 ft. lbs.
- d. Connect harness connectors.
- e. **Torque** harness mounting nut to 10 ft. lbs.
5. **On models less terminal with fusible link**, connect both battery cables to battery terminals. When connecting, connect battery cable to positive terminal first.
6. **On all models**, **torque** battery terminal nuts to 48 inch lbs.
7. Install cover of battery positive terminal.
8. Install nut and bolt (1), and install bracket (2) to battery fix frame, **Fig. 1**.
9. Install air inlet duct.



BTY120000000786

Fig. 3 Battery removal

The material herein may not be used without the prior express written permission of the copyright holder, including, but not limited to reproduction or transmission in any form by any means such as electronic, mechanical, photocopying, recording or otherwise; nor may it be stored on any retrieval system of any nature.

"The data reported herein has been compiled from authoritative sources. While every effort is made by the analysts to attain accuracy, manufacturing changes as well as typographical errors and omissions may occur on occasion. The publisher cannot be responsible nor does it assume any responsibility whatsoever for such omissions, errors or changes."

MOTOR INFORMATION SYSTEMS
MOTOR is a trademark of Hearst Business Media
A Unit of Hearst Corporation
1301 W. Long Lake, Suite 300
Troy, MI 48098

Copyright © 2015 Hearst Business Media. All rights reserved.
