

LAND ROVER 2011-13 LR4

PRECAUTIONS

Warning: Batteries emit highly explosive hydrogen at all times, particularly during charging. To prevent any potential form of ignition occurring when working in the vicinity of a battery, do not smoke when working near batteries, and avoid sparks, short circuits or other sources of ignition in the battery vicinity.

Warning: Switch off current before making or breaking electrical connections. Ensure battery charging area is well ventilated. Ensure the charger is switched off when connecting to a battery or disconnecting from the battery. Always disconnect the ground cable from the battery terminal first and reconnect it last.

Warning: Batteries contain poisonous and highly corrosive acid. To prevent personal injury or damage to clothing or the vehicle, always wear suitable protective clothing (an apron or similar), safety glasses, a face mask and suitable gloves when topping up, inspecting electrolyte specific gravity, removal, refitting or carrying batteries.

Warning: If acid is spilled or splashed onto clothing or the body, it must be neutralized immediately and then rinsed with clean water. A solution of baking soda or household ammonia and water may be used as a neutralizer. In the event of contact with the

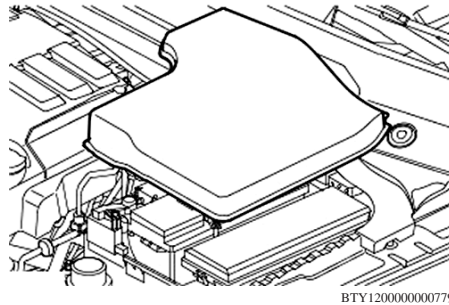


Fig. 1 Battery cover removal

skin, drench the affected area with water. In the case of contact with the eyes, bathe the affected area with cool clean water for approximately 15 minutes and seek urgent medical attention. If battery acid is spilled or splashed on any surface of a vehicle, it should be neutralized and rinsed with clean water.

Warning: Heat is generated when acid is mixed with water. If it becomes required to prepare electrolyte of a desired specific gravity, slowly pour the concentrated acid into water (not water into acid), adding small amounts of acid while stirring. Allow the electrolyte to cool if noticeable heat develops. With the exception of lead or lead-lined containers, always use non-metallic receptacles or funnels. Do not store

acid in excessively warm locations or in direct sunlight.

Due to their hazardous contents, the disposal of batteries is strictly controlled. When a battery is scrapped, ensure it is disposed of safely, complying with local environmental regulations. If in doubt, contact your local authority for advice on disposal facilities.

BATTERY Removal

1. Secure hood in service position. Release support struts.
2. Remove battery cover, Fig. 1.
3. Disconnect battery ground cable, Fig. 2.
4. Disconnect battery positive cable.
5. Remove two bolts securing battery clamp, and remove clamp.
6. Remove battery.

Installation

1. Install battery.
2. Install battery clamp.
3. **Torque** battery clamp bolts to 44 inch lbs.
4. Apply petroleum jelly to battery terminals.
5. Install cover and connect battery positive cable.
6. Install battery ground cable.
7. **Torque** terminal clamps to 44 inch lbs.

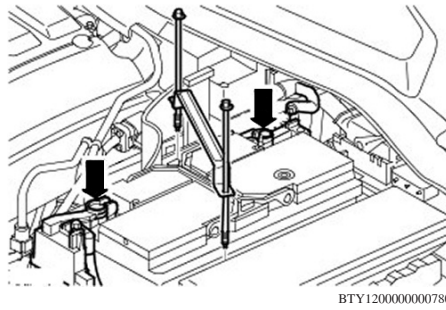


Fig. 2 Battery removal

The material herein may not be used without the prior express written permission of the copyright holder, including, but not limited to reproduction or transmission in any form by any means such as electronic, mechanical, photocopying, recording or otherwise; nor may it be stored on any retrieval system of any nature.

"The data reported herein has been compiled from authoritative sources. While every effort is made by the analysts to attain accuracy, manufacturing changes as well as typographical errors and omissions may occur on occasion. The publisher cannot be responsible nor does it assume any responsibility whatsoever for such omissions, errors or changes."

"This product contains material that is reproduced and distributed under a license from Land Rover, Volvo, Ford & Jaguar. No further reproduction or distribution of this material is allowed without the express written permission of Land Rover, Volvo, Ford or Jaguar."

Ford Data Copyright © 1974-2014 Ford Motor Company

MOTOR INFORMATION SYSTEMS
MOTOR is a trademark of Hearst Business Media
A Unit of Hearst Corporation
1301 W. Long Lake, Suite 300
Troy, MI 48098

Copyright © 2015 Hearst Business Media. All rights reserved.
