

# HYUNDAI

## 2005-14 Tuscon

### PRECAUTIONS

**Warning:** Keep all flames or sparks away from battery.

**Caution:** Wear eye protection when charging or working near a battery. Always provide ventilation when working in an enclosed space.

**Warning:** Keep batteries out of reach of children because batteries contain highly corrosive sulfuric acid. Do not allow battery acid to contact skin, eyes, clothing or paint finish. If any electrolyte gets into the eyes, flush eyes with clean water for at least 15 minutes and get immediate medical attention. If possible, continue to apply water with a sponge or cloth until medical attention is received. If electrolyte gets on skin, thoroughly wash contacted area. If you feel pain or a burning sensation, get medical attention immediately.

### BATTERY

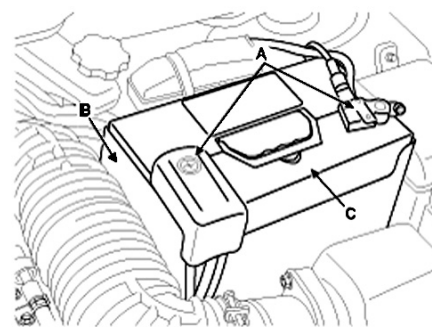
#### Removal

1. Record radio station presets.
2. Turn off all lamps and accessories.
3. Turn ignition switch to OFF position.

4. Disconnect battery ground terminal, **Fig. 1**.
5. Disconnect battery positive terminal, **Fig. 1**.
6. Remove battery insulation pad (B), **Fig. 1**.
7. Remove battery mounting bracket by loosening mounting bolt, and remove battery (C), **Fig. 1**.

#### Installation

1. Install battery (C) and mounting bracket, **Fig. 1**. **Torque** mounting bracket nut to 92 inch lbs.
2. Install battery insulation pad (B), **Fig. 1**.
3. Connect battery positive terminal, and **torque** bolt to 62 inch lbs.
4. Disconnect battery ground terminal (A), and **torque** bolt to 42 inch lbs.
5. Synchronize power windows as follows:
  - a. Turn ignition switch to ON position.
  - b. Raise each window to full up position and continue to hold switch upward for one second.
6. Inspect any affected system or component such as clock, comfort adjustment, or compass for proper settings, and adjust as required.
7. **On models equipped with panorama**



BTY120000000339

**Fig. 1 Battery removal**

**ma roof**, synchronize panorama roof as follows:

- a. Turn ignition key to ON position and close panorama roof completely.
- b. Release panorama roof control button.
- c. Press and hold CLOSE button for more than 10 seconds until sunroof has moved slightly.
- d. Release panorama roof control button.
- e. Press and hold CLOSE button once again until sunroof tilts, slides open, then slides close.
- f. Release panorama roof control button.

---

The material herein may not be used without the prior express written permission of the copyright holder, including, but not limited to reproduction or transmission in any form by any means such as electronic, mechanical, photocopying, recording or otherwise; nor may it be stored on any retrieval system of any nature.

"The data reported herein has been compiled from authoritative sources. While every effort is made by the analysts to attain accuracy, manufacturing changes as well as typographical errors and omissions may occur on occasion. The publisher cannot be responsible nor does it assume any responsibility whatsoever for such omissions, errors or changes."

---

MOTOR INFORMATION SYSTEMS  
MOTOR is a trademark of Hearst Business Media  
A Unit of Hearst Corporation  
1301 W. Long Lake, Suite 300  
Troy, MI 48098

Copyright © 2015 Hearst Business Media. All rights reserved.

---