

GMC

2007-13 Sierra

PRECAUTIONS

Warning: Batteries produce explosive gases, contain corrosive acid, and supply levels of electrical current high enough to cause burns. Therefore, to reduce the risk of personal injury when working near a battery: Always shield your eyes and avoid leaning over the battery whenever possible; do not expose the battery to open flames or sparks; do not allow the battery electrolyte to contact the eyes or the skin; flush immediately and thoroughly any contacted areas with water, and get medical help.

Unless directed otherwise, the ignition and start switch must be in the OFF or LOCK position, and all electrical loads must be OFF before servicing any electrical component. Disconnect the battery ground cable to prevent an electrical spark should a tool or equipment come in contact with an exposed electrical terminal. Failure to follow these precautions may result in personal injury and/or damage to the vehicle or its components. For vehicles equipped with OnStar® (UE1) with Back Up Battery, the back up battery is a redundant power supply to allow limited OnStar® functionality in the event of a main vehicle battery power disruption to the VCIM (OnStar® module). Do not disconnect the main vehicle battery or remove the OnStar® fuse with the ignition key in any position other than OFF. Retained Accessory Power (RAP) should be allowed to time out or be disabled (simply opening the driver door should disable RAP) before disconnecting power. Disconnecting power to the OnStar® module in any way while the ignition is ON or with RAP activated may cause activation of the OnStar® Back Up Battery (BUB) system and will discharge and permanently damage the BUB. Once the BUB is activated, it will stay on until it has completely discharged. The BUB is not rechargeable and, once activated, the BUB must be replaced.

BATTERY

Primary

REMOVAL

1. Record radio anti-theft code and station presets.
2. Turn off all lamps and accessories.

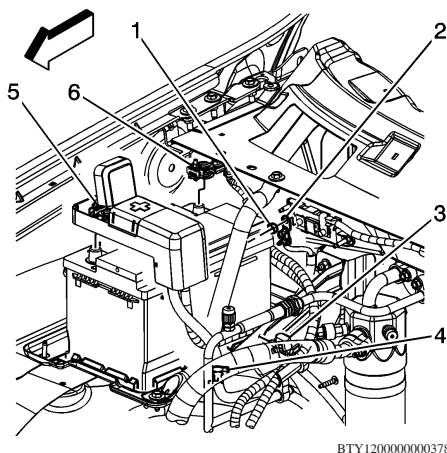


Fig. 1 Primary battery cable removal

3. Turn ignition switch to OFF position.
4. Disconnect battery ground cable (6), **Fig. 1**.
5. Open starter solenoid cable cover at positive battery terminal, **Fig. 1**.
6. Loosen starter solenoid cable nut (5), **Fig. 1**.
7. Remove starter solenoid cable from positive battery terminal.
8. Remove righthand front fender rear upper brace bolts and brace, **Fig. 2**.
9. Remove battery hold down retainer bolt and retainer, **Fig. 3**.
10. Remove battery from battery tray.

INSTALLATION

Clean any existing corrosion from the battery terminal and the battery cable end.

1. Install battery to battery tray.
2. Install battery hold down retainer and bolt, **Fig. 3**. **Torque** bolt to 18 ft. lbs.
3. Install righthand front fender rear upper brace and bolts, **Fig. 2**. **Torque** bolts to 80 inch lbs.
4. Install starter solenoid cable to positive battery terminal.
5. Install starter solenoid cable nut (5), **Fig. 1**. **Torque** nut to 44 inch lbs.
6. Close starter solenoid cable cover at positive battery terminal.
7. Install battery ground cable (6) to battery terminal, **Fig. 1**. **Torque** nut to 44 inch lbs.
8. Reset all preset and theft codes previously recorded to radio.

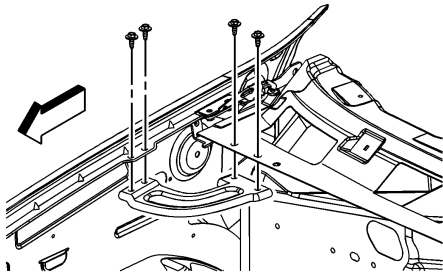
Auxiliary

REMOVAL

1. Record radio anti-theft code and station presets.
2. Turn off all lamps and accessories.
3. Turn ignition switch to OFF position.
4. Disconnect primary battery ground cable (6), **Fig. 1**.
5. Position primary battery ground cable aside.
6. Open auxiliary battery ground cable post cover.
7. Loosen auxiliary battery ground cable nut (3), **Fig. 4**.
8. Remove auxiliary battery ground cable from battery ground post.
9. Open auxiliary battery positive cable post cover.
10. Loosen auxiliary battery positive cable nut (2), **Fig. 4**.
11. Remove auxiliary battery positive cable from battery positive post.
12. Remove front end sheet metal diagonal brace bolts and brace, **Fig. 5**.
13. Remove auxiliary battery hold down bolt and hold down, **Fig. 6**.
14. Remove auxiliary battery from battery tray.

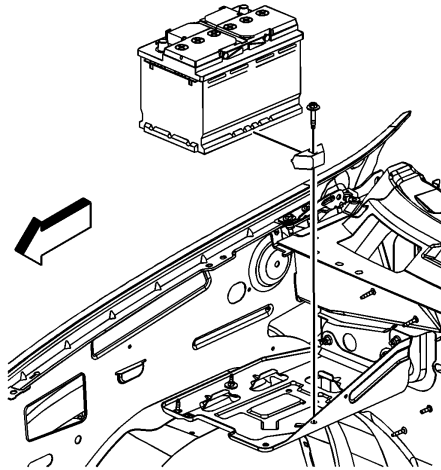
INSTALLATION

1. Install auxiliary battery to battery tray.
2. Install auxiliary battery hold down and bolt, **Fig. 6**. **Torque** bolt to 18 ft. lbs.
3. Install front end sheet metal diagonal brace and bolts, **Fig. 5**. **Torque** bolts to 18 ft. lbs.
4. Install auxiliary battery positive cable to battery positive post.
5. **Torque** auxiliary battery positive cable nut (2) to 66 inch lbs., **Fig. 4**.
6. Close auxiliary battery positive cable post cover.
7. Install auxiliary battery ground cable to battery ground post.
8. **Torque** auxiliary battery ground cable nut (3) to 66 inch lbs., **Fig. 4**.
9. Close auxiliary battery ground cable post cover.
10. Install primary battery ground cable (6) to battery terminal, **Fig. 1**. **Torque** nut to 44 inch lbs.
11. Reset all preset and theft codes previously recorded to radio.



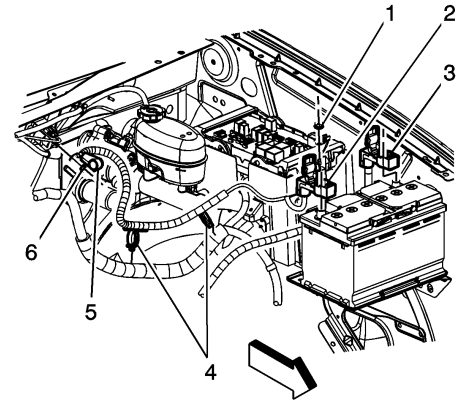
BTY120000000379

Fig. 2 Righthand front fender upper brace removal



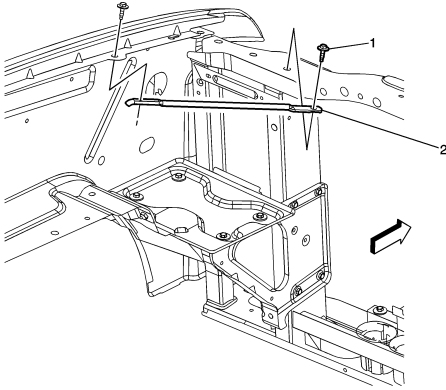
BTY120000000380

Fig. 3 Primary battery hold down retainer & battery removal



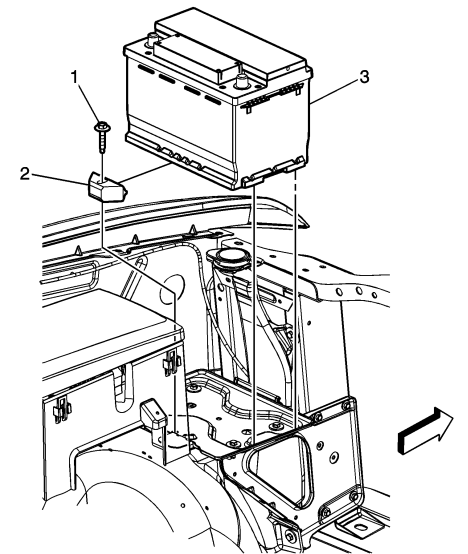
BTY120000000398

Fig. 4 Auxiliary battery cable disconnection



BTY120000000399

Fig. 5 Front end sheet metal diagonal brace removal



BTY120000000400

Fig. 6 Auxiliary battery removal

The material herein may not be used without the prior express written permission of the copyright holder, including, but not limited to reproduction or transmission in any form by any means such as electronic, mechanical, photocopying, recording or otherwise; nor may it be stored on any retrieval system of any nature.

"The data reported herein has been compiled from authoritative sources. While every effort is made by the analysts to attain accuracy, manufacturing changes as well as typographical errors and omissions may occur on occasion. The publisher cannot be responsible nor does it assume any responsibility whatsoever for such omissions, errors or changes."

"Portions of materials herein have been reprinted with permission of General Motors LLC, Customer Care and Aftersales, License Agreement 1110717."

MOTOR INFORMATION SYSTEMS
MOTOR is a trademark of Hearst Business Media
A Unit of Hearst Corporation
1301 W. Long Lake, Suite 300
Troy, MI 48098

Copyright © 2015 Hearst Business Media. All rights reserved.