

CHEVROLET

2014 Silverado 1500

PRECAUTIONS

Warning: Batteries produce explosive gases, contain corrosive acid, and supply levels of electrical current high enough to cause burns. Therefore, to reduce the risk of personal injury when working near a battery: Always shield your eyes and avoid leaning over the battery whenever possible; do not expose the battery to open flames or sparks; do not allow the battery electrolyte to contact the eyes or the skin; flush immediately and thoroughly any contacted areas with water, and get medical help.

Unless directed otherwise, the ignition and start switch must be in the OFF or LOCK position, and all electrical loads must be OFF before servicing any electrical component. Disconnect the battery ground cable to prevent an electrical spark, should a tool or equipment come in contact with an exposed electrical terminal. Failure to follow these precautions may result in personal injury and/or damage to the vehicle or its components. For vehicles equipped with OnStar with Back Up Battery, the Back Up Battery is a redundant power supply to allow limited OnStar functionality in the event of a main vehicle battery power disruption to the VCIM (OnStar module). Do not disconnect the main vehicle battery or remove the OnStar fuse with the ignition key in any position other than OFF. Retained Accessory Power (RAP) should be allowed to time out or be disabled (simply opening the driver door should disable RAP) before disconnecting power. Disconnecting power to the OnStar module in any way while the ignition is ON or with RAP activated may cause activation of the OnStar Back Up Battery (BUB) system and will discharge and permanently damage the BUB. Once the BUB is activated, it will stay on until it has completely discharged. The BUB is not chargeable and, once activated, the BUB must be replaced.

BATTERY

Primary

REMOVAL

1. Disconnect battery ground cable clamp fastener (1) and set battery ground cable (2) aside, **Fig. 1**.
2. Remove support cross brace fasteners (1) and remove support cross brace (2) from above battery, **Fig. 2**.
3. Open battery positive cable clamp cover (1) and loosen battery positive cable clamp fastener (2), **Fig. 3**.
4. Remove battery fuse block (3) and set aside, **Fig. 3**.

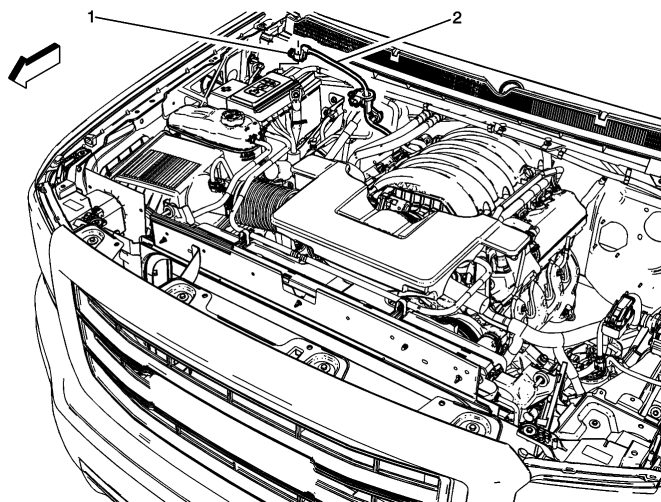


Fig. 1 Battery ground cable clamp fastener disconnect

5. Remove battery retainer fastener (1) and remove battery retainer (2), **Fig. 4**.
6. Remove battery (3) from vehicle, **Fig. 4**.

INSTALLATION

Caution: Use the correct fastener in the correct location. Replacement fasteners must be the correct component number for that application. Do not use paints, lubricants, or corrosion inhibitors on fasteners or fastener joint surfaces, unless specified. These coatings affect fastener torque and joint clamping force and may damage the fastener. Use the correct tightening sequence and specifications when installing fasteners in order to avoid damage to components and systems. When using fasteners that are threaded directly into plastic, use extreme care not to strip the mating plastic components. Use hand tools only, and do not use any kind of impact or power tools. Fastener should be hand tightened, fully seated, and not stripped.

1. Install battery (3) into position on battery tray, **Fig. 4**.
2. Install battery retainer (2) and torque fastener (1) to 18 ft. lbs., **Fig. 4**.
3. Install battery fuse block (3) to battery positive post and torque fastener (2) to 44 inch lbs., **Fig. 3**.
4. Close battery positive cable cover (1), **Fig. 3**.
5. Install support cross brace (2) and torque fasteners (1) to 80 inch lbs., **Fig. 2**.
6. Connect battery ground cable clamp fastener (1) onto battery and torque fastener to 44 inch lbs., **Fig. 1**.

Auxiliary

1. Turn OFF all lamps and accessories.
2. Turn ignition OFF.
3. Disconnect battery ground cable clamp nut.
4. Position battery ground cable out of the way.
5. Disconnect auxiliary ground battery cable clamp nut (1), **Fig. 5**.
6. Reposition auxiliary battery ground cable (2) away from battery, **Fig. 5**.
7. Remove auxiliary battery positive cable cover (2) and loosen auxiliary battery positive clamp fastener (1), **Fig. 6**.
8. Remove auxiliary battery positive cable (3) from auxiliary battery positive post, **Fig. 6**.
9. Remove auxiliary battery hold down retainer fasteners (2) and remove auxiliary battery hold down retainer (1), **Fig. 7**.
10. Remove auxiliary battery (3) from engine compartment, **Fig. 7**.

INSTALLATION

Caution: Use the correct fastener in the correct location. Replacement fasteners must be the correct part number for that application. Do not use paints, lubricants, or corrosion inhibitors on fasteners or fastener joint surfaces, unless specified. These coatings affect fastener torque and joint clamping force and may damage the fastener. Use the correct tightening sequence and specifications when installing fasteners in order to avoid damage to components and systems. When using fasteners that are threaded directly into plastic, use extreme care not to strip the mating plastic components. Use hand tools

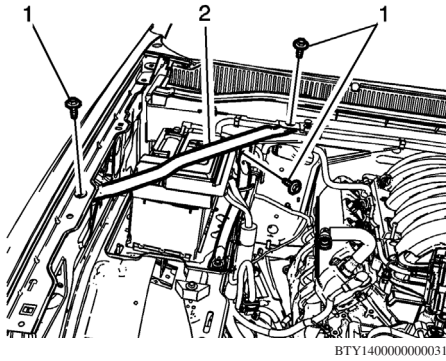


Fig. 2 Support cross brace removal

only, and do not use any kind of impact or power tools. Fastener should be hand tightened, fully seated, and not stripped.

Clean any existing corrosion from the battery terminal and the battery cable end.

1. Install auxiliary battery (3) into position on battery tray, **Fig. 7**.
2. Install battery hold down retainer (1)

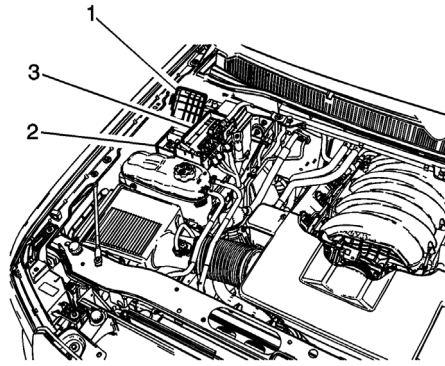


Fig. 3 Battery fuse block removal

and **torque** fasteners (2) to 80 inch lbs., **Fig. 7**.

3. Install auxiliary battery positive cable (3) to auxiliary battery positive post and **torque** clamp fastener (1) to 44 inch lbs., **Fig. 6**.
4. Install auxiliary battery positive cable cover (2), **Fig. 6**.
5. Install auxiliary ground battery cable

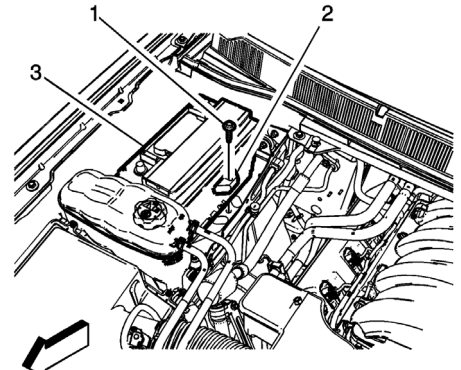
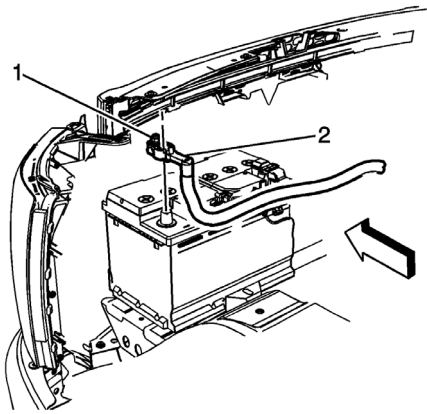


Fig. 4 Battery removal

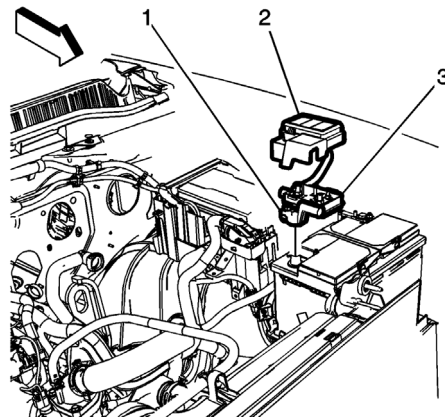
(2) onto auxiliary battery ground post, **Fig. 5**.

6. **Torque** ground battery cable nut (1) to 66 inch lbs., **Fig. 5**.
7. Install ground battery clamp onto battery ground post.
8. **Torque** ground battery cable clamp nut to 66 inch lbs.



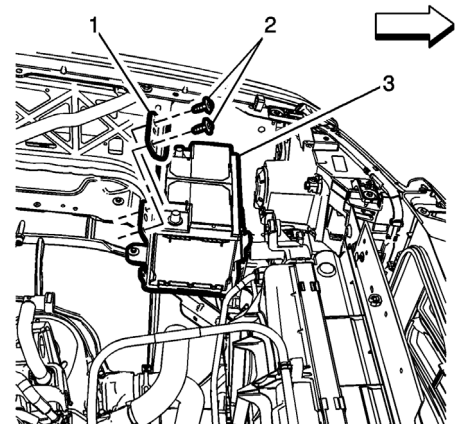
BTY140000000034

Fig. 5 Auxiliary ground battery cable clamp fastener disconnect



BTY140000000035

Fig. 6 Auxiliary battery positive cable cover removal



BTY140000000036

Fig. 7 Auxiliary battery hold down retainer removal

The material herein may not be used without the prior express written permission of the copyright holder, including, but not limited to reproduction or transmission in any form by any means such as electronic, mechanical, photocopying, recording or otherwise; nor may it be stored on any retrieval system of any nature.

"The data reported herein has been compiled from authoritative sources. While every effort is made by the analysts to attain accuracy, manufacturing changes as well as typographical errors and omissions may occur on occasion. The publisher cannot be responsible nor does it assume any responsibility whatsoever for such omissions, errors or changes."

"Portions of materials herein have been reprinted with permission of General Motors LLC, Customer Care and Aftersales, License Agreement 1110717."

MOTOR INFORMATION SYSTEMS
MOTOR is a trademark of Hearst Business Media
A Unit of Hearst Corporation
1301 W. Long Lake, Suite 300
Troy, MI 48098

Copyright © 2015 Hearst Business Media. All rights reserved.