

CHEVROLET 2014 Impala

PRECAUTIONS

Warning: Unless directed otherwise, the ignition and start switch must be in the OFF or LOCK position, and all electrical loads must be off before servicing any electrical component. Disconnect the battery ground cable to prevent an electrical spark should a tool or equipment come in contact with an exposed electrical terminal. Failure to follow these precautions may result in personal injury and/or damage to the vehicle or its components.

For vehicles equipped with OnStar with Back Up Battery: The Back Up Battery is a redundant power supply to allow limited OnStar functionality in the event of a main vehicle battery power disruption to the VCIM (OnStar module). Do not disconnect the main vehicle battery or remove the OnStar fuse with the ignition key in any position other than OFF. Retained Accessory Power (RAP) should be allowed to time out or be disabled (simply opening the driver door should disable RAP) before disconnecting power. Disconnecting power to the OnStar module in any way while the ignition is ON or with RAP activated may cause activation of the OnStar Back Up Battery (BUB) system and will discharge and permanently damage the BUB. Once the BUB is activated, it will stay on until it has completely discharged. The BUB is not chargeable and, once activated, the BUB must be replaced.

BATTERY Removal

1. Turn ignition OFF.
2. Record radio and engine oil life resets.
3. Remove battery cover (1), **Fig. 1**.
4. Disconnect battery ground cable (2), **Fig. 1**.
5. Open battery fuse block cover (2) with release tab (1), **Fig. 2**.
6. Release tabs and open battery fuse block cover. Remove battery positive

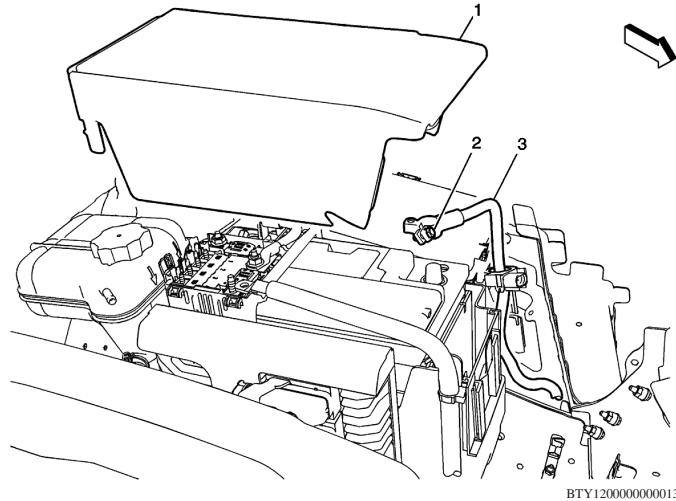


Fig. 1 Battery ground cable removal

7. Remove battery fuse block cable clamp fastener (3) and battery hold down strap (4), **Fig. 3**.
8. Remove battery fuse block (2) with retainers (1) and set aside, **Fig. 4**.
9. Remove battery retainer bolt (1) and retainer (2), **Fig. 5**.
10. Remove battery (1) from engine compartment, **Fig. 6**.

Installation

Caution: Use the correct fastener in the correct location. Replacement fasteners must be the correct part number for that application. Do not use paints, lubricants, or corrosion inhibitors on fasteners or fastener joint surfaces, unless specified. These coatings affect fastener torque and joint clamping force and may damage the fastener. Use the correct tightening sequence and specifications when installing fasteners in order to avoid damage to components and systems. When using fasteners that are threaded directly into plastic, use

extreme care not to strip the mating plastic components. Use hand tools only, and do not use any kind of impact or power tools. Fastener should be hand tightened, fully seated, and not stripped.

1. Install battery (1) into position on battery tray, **Fig. 6**.
2. Install battery retainer (2) and torque bolt (1) to 88 inch lbs., **Fig. 5**.
3. Install battery fuse block (2) to battery with retainers (1), **Fig. 4**.
4. Install battery positive cable (2) to battery fuse block and torque nut (1) to 88 inch lbs., **Fig. 3**.
5. Install battery hold-down strap (4) to battery positive post, **Fig. 3**.
6. Install battery positive clamp to post and torque nut (3) to 44 inch lbs., **Fig. 3**.
7. Connect battery ground cable. Torque terminal nut to 40 inch lbs.
8. Close cover (2) on battery fuse block, **Fig. 2**.
9. Install battery cover (2) with retaining tabs (1), **Fig. 7**.
10. Reset radio and engine oil life resets.

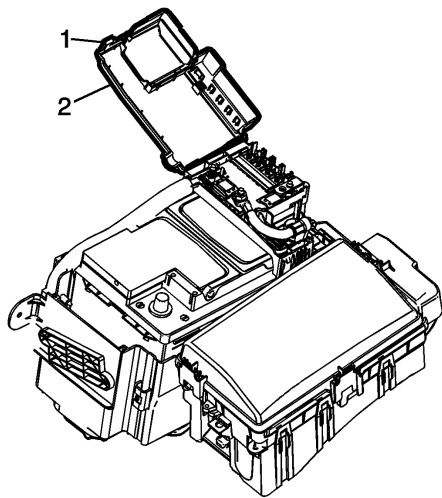


Fig. 2 Battery fuse block cover

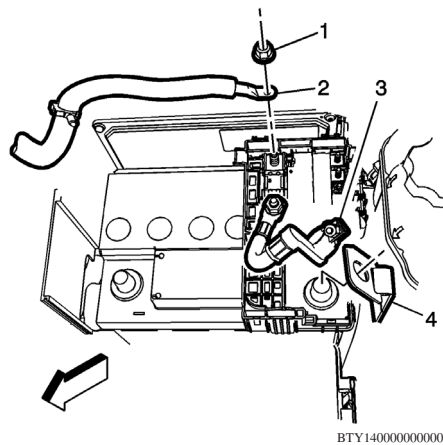


Fig. 3 Battery positive cable removal

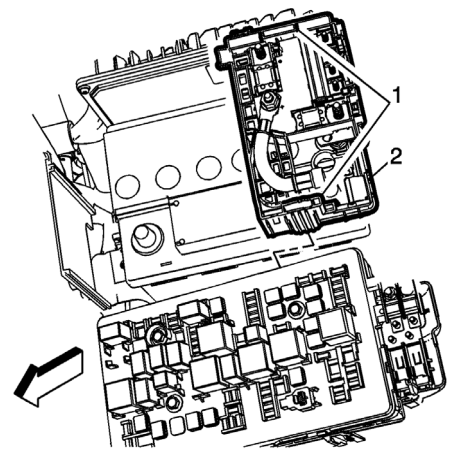


Fig. 4 Battery fuse block removal

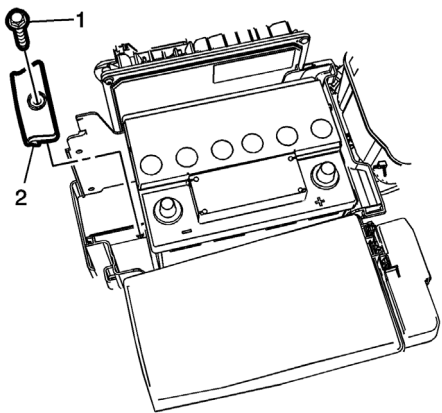


Fig. 5 Battery retainer removal

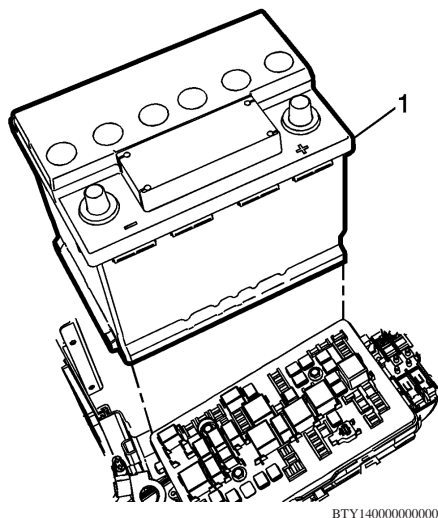


Fig. 6 Battery removal

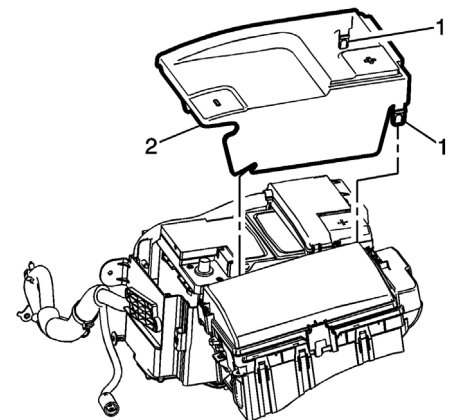


Fig. 7 Battery cover installation

The material herein may not be used without the prior express written permission of the copyright holder, including, but not limited to reproduction or transmission in any form by any means such as electronic, mechanical, photocopying, recording or otherwise; nor may it be stored on any retrieval system of any nature.

"The data reported herein has been compiled from authoritative sources. While every effort is made by the analysts to attain accuracy, manufacturing changes as well as typographical errors and omissions may occur on occasion. The publisher cannot be responsible nor does it assume any responsibility whatsoever for such omissions, errors or changes."

"Portions of materials herein have been reprinted with permission of General Motors LLC, Customer Care and Aftersales, License Agreement 1110717."

MOTOR INFORMATION SYSTEMS
MOTOR is a trademark of Hearst Business Media
A Unit of Hearst Corporation
1301 W. Long Lake, Suite 300
Troy, MI 48098
 Copyright © 2015 Hearst Business Media. All rights reserved.