

# BUICK

## 2005-09 Lacrosse

### PRECAUTIONS

**Warning:** Unless directed otherwise, the ignition and start switch must be in the OFF or LOCK position, and all electrical loads must be OFF before servicing any electrical component. Disconnect the battery ground cable to prevent an electrical spark should a tool or equipment come in contact with an exposed electrical terminal. Failure to follow these precautions may result in personal injury and/or damage to the vehicle or its components.

For vehicles equipped with OnStar® (UE1) with Back Up Battery: The Back Up Battery is a redundant power supply to allow limited OnStar® functionality in the event of a main vehicle battery power disruption to the VCIM (OnStar® module). Do not disconnect the main vehicle battery or remove the OnStar® fuse with the ignition key in any position other than OFF. Retained Accessory Power (RAP) should be allowed to time out or be disabled (simply opening the driver door should disable RAP) before disconnecting power. Disconnecting power to the OnStar® module in any way while the ignition is On or with RAP activated may cause activation of the OnStar® Back Up Battery (BUB) system and will discharge and permanently damage the BUB. Once the BUB is activated, it will stay on until it has completely discharged. The BUB is not rechargeable and, once activated, the BUB must be replaced.

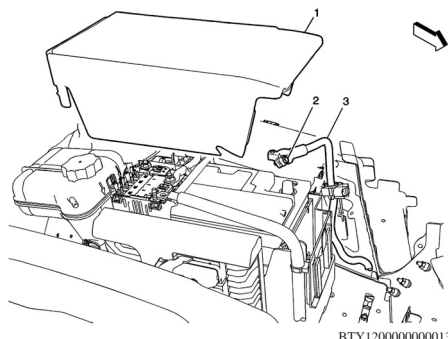


Fig. 1 Battery ground cable removal

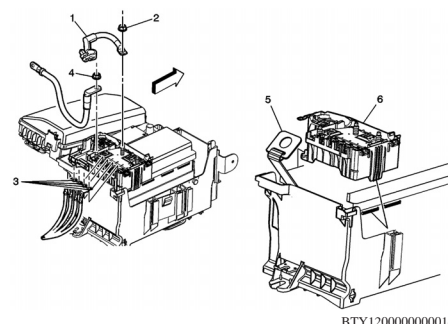


Fig. 2 Battery positive cable removal

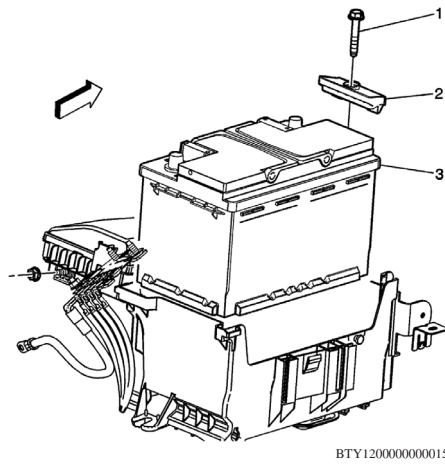
### BATTERY

#### Removal

1. Turn ignition OFF.
2. Record radio and engine oil life resets.
3. Remove battery cover (1), **Fig. 1**.
4. Disconnect battery ground cable (2), **Fig. 1**.
5. Remove battery positive fuse block cable (1), **Fig. 2**.
6. Remove battery positive cable at fuse block (2), **Fig. 2**.
7. Remove battery retainer (5), **Fig. 2**.
8. Remove fuse block (6), **Fig. 2**.
9. Remove battery bracket bolt (1) and holdown (2), then battery (3), **Fig. 3**.

#### Installation

1. Install battery.
2. Install battery retainer bracket and battery holdown bolt. **Torque** holdown bolt to 89 inch lbs.
3. Install battery positive cable at fuse block (2), **Fig. 2**.
4. Install battery positive fuse block cable (1), **Fig. 2**. **Torque** terminal nut to 35 inch lbs.
5. Connect battery ground cable. **Torque** terminal nut to 40 inch lbs.
6. Remove battery cover.
7. Reset radio and engine oil life resets.



**Fig. 3 Battery removal**

---

The material herein may not be used without the prior express written permission of the copyright holder, including, but not limited to reproduction or transmission in any form by any means such as electronic, mechanical, photocopying, recording or otherwise; nor may it be stored on any retrieval system of any nature.

"The data reported herein has been compiled from authoritative sources. While every effort is made by the analysts to attain accuracy, manufacturing changes as well as typographical errors and omissions may occur on occasion. The publisher cannot be responsible nor does it assume any responsibility whatsoever for such omissions, errors or changes."

"Portions of materials herein have been reprinted with permission of General Motors LLC, Customer Care and Aftersales, License Agreement 1110717."

---

**MOTOR INFORMATION SYSTEMS**  
**MOTOR is a trademark of Hearst Business Media**  
**A Unit of Hearst Corporation**  
**1301 W. Long Lake, Suite 300**  
**Troy, MI 48098**

Copyright © 2015 Hearst Business Media. All rights reserved.

---