

# BUICK

## 2008-14 Enclave

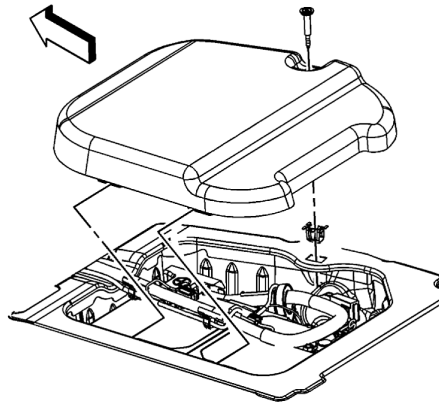
### PRECAUTIONS

**Warning:** Unless directed otherwise, the ignition and start switch must be in the OFF or LOCK position, and all electrical loads must be OFF before servicing any electrical component. Disconnect the battery ground cable to prevent an electrical spark should a tool or equipment come in contact with an exposed electrical terminal. Failure to follow these precautions may result in personal injury and/or damage to the vehicle or its components.

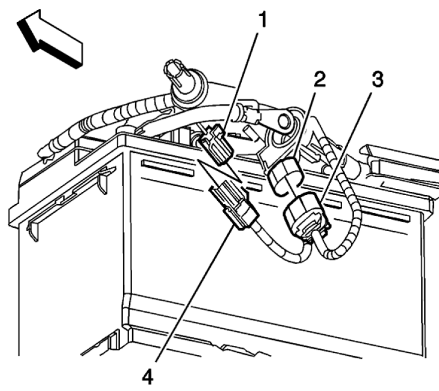
For vehicles equipped with OnStar® (UE1) with Back Up Battery: The Back Up Battery is a redundant power supply to allow limited OnStar® functionality in the event of a main vehicle battery power disruption to the VCIM (OnStar® module). Do not disconnect the main vehicle battery or remove the OnStar® fuse with the ignition key in any position other than OFF. Retained Accessory Power (RAP) should be allowed to time out or be disabled (simply opening the driver door should disable RAP) before disconnecting power. Disconnecting power to the OnStar® module in any way while the ignition is On or with RAP activated may cause activation of the OnStar® Back Up Battery (BUB) system and will discharge and permanently damage the BUB. Once the BUB is activated, it will stay on until it has completely discharged. The BUB is not rechargeable and, once activated, the BUB must be replaced.

### BATTERY Removal

1. Remove floor matt from between front and middle row passenger seat, if equipped.
2. Place front passenger seat in full forward position.
3. Remove rear seat front trim covers, **Fig. 1**.
4. Record all customer radio station presets.
5. Turn OFF all lamps and accessories.
6. Ensure ignition switch is in OFF position and key is removed.
7. From inside vehicle, remove battery cover screw and cover.
8. Loosen battery ground cable clamp nut (1) at battery ground post (2), **Fig. 2**.
9. Remove battery ground cable clamp from battery ground post (2) and position aside, **Fig. 2**.

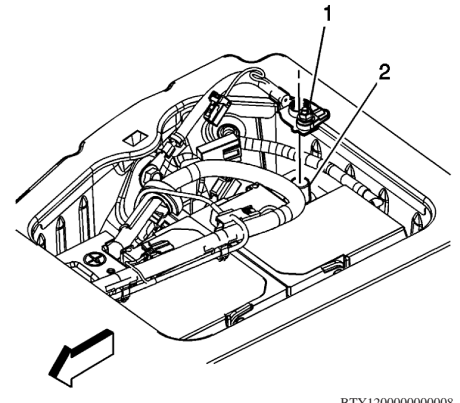


**Fig. 1** Rear seat front trim cover removal



**Fig. 3** Battery current sensor connector

10. Disconnect body wiring harness electrical connector (3) from battery current sensor (2), **Fig. 3**.
11. Disconnect body wiring harness electrical connector (4) from battery ground cable electrical connector (1), **Fig. 3**.
12. Disconnect body wiring harness electrical connector (2) from positive battery cable electrical connector (3), **Fig. 4**.
13. Open positive battery cable cover.
14. Loosen positive battery cable terminal nut.
15. Remove positive battery cable terminal from battery positive terminal and position cable aside.
16. Remove battery vent hose grommet from battery box.
17. Remove battery hold down bolt (2), **Fig. 5**.

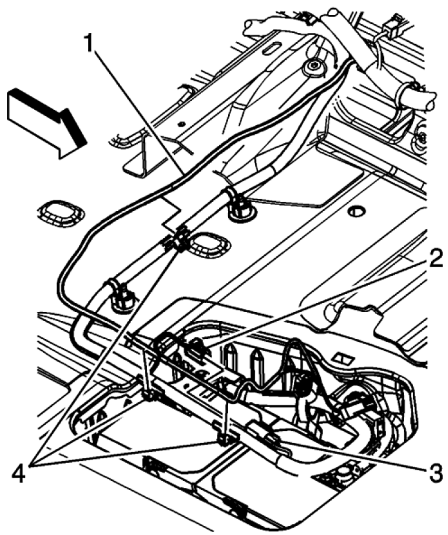


**Fig. 2** Battery ground cable removal

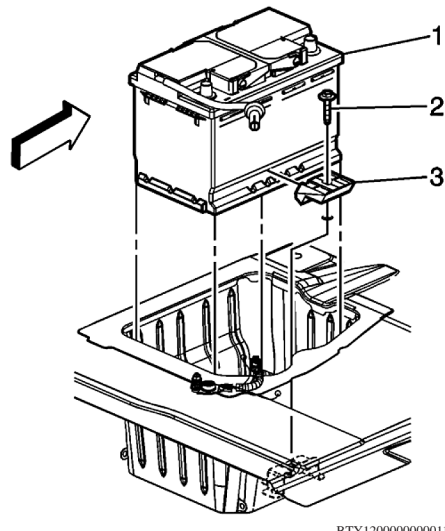
18. Remove battery hold down (3), **Fig. 5**.
19. Remove battery (1), **Fig. 5**.
20. Remove battery vent hose (1) from battery, if required, **Fig. 6**.

### Installation

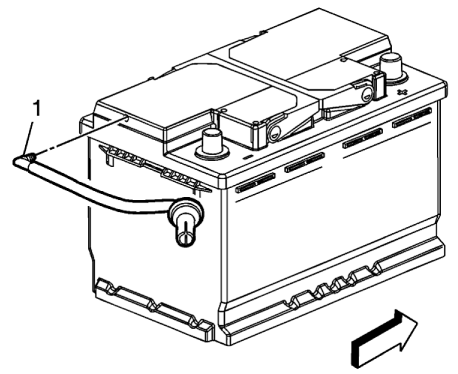
1. Install battery vent hose (1) to battery, **Fig. 6**.
2. Install battery (1) into battery box, **Fig. 5**.
3. Install battery hold down (3), **Fig. 5**.
4. Install battery hold down bolt (2). **Torque** hold down bolt to 18 ft. lbs.
5. Install battery vent hose grommet to battery box.
6. Position positive battery cable, and install cable terminal to battery positive terminal.
7. Tighten positive battery cable terminal nut. **Torque** terminal nut to 80 inch lbs.
8. Close positive battery cable cover.
9. Connect body wiring harness electrical connector (2) to positive battery cable electrical connector (3), **Fig. 3**.
10. Connect body wiring harness electrical connector (4) to battery ground cable electrical connector (1), **Fig. 3**.
11. Connect body wiring harness electrical connector (3) to battery current sensor (2), **Fig. 3**.
12. Connect battery ground cable. **Torque** terminal nut to 80 inch lbs.
13. Install battery cover and tighten fastener. **Torque** fastener to 14 inch lbs.
14. Install rear seat front trim covers.
15. Reset all customer radio station presets.
16. Install middle row floor matt, if equipped.



**Fig. 4 Battery positive cable removal**



**Fig. 5 Battery removal**



**Fig. 6 Battery vent removal**

The material herein may not be used without the prior express written permission of the copyright holder, including, but not limited to reproduction or transmission in any form by any means such as electronic, mechanical, photocopying, recording or otherwise; nor may it be stored on any retrieval system of any nature.

"The data reported herein has been compiled from authoritative sources. While every effort is made by the analysts to attain accuracy, manufacturing changes as well as typographical errors and omissions may occur on occasion. The publisher cannot be responsible nor does it assume any responsibility whatsoever for such omissions, errors or changes."

"Portions of materials herein have been reprinted with permission of General Motors LLC, Customer Care and Aftersales, License Agreement 1110717."

**MOTOR INFORMATION SYSTEMS**  
**MOTOR is a trademark of Hearst Business Media**  
**A Unit of Hearst Corporation**  
**1301 W. Long Lake, Suite 300**  
**Troy, MI 48098**

Copyright © 2015 Hearst Business Media. All rights reserved.