

# AUDI

## 2009-14 S4

### PRECAUTIONS

**Warning:** Acid has strong corrosive properties. If batteries are handled inappropriately, there is a risk that personal injury may result from exposure to harmful electrolyte influences.

**Warning:** If electrolyte drips out from battery, skin can be burned by acid, and vehicle may be affected by acid erosion and corrosion. It is a possibility that safety-related vehicle components can be damaged.

**Warning:** The gas resulting from charging and partially after charging is explosive. In extreme cases, if battery is handled inappropriately, the emitted gases may cause the battery to explode.

**Warning:** Danger of personal injury when engine starts automatically. When Start/Stop System is activated (the indicator lamp in instrument cluster is on), the engine can start up automatically. Always ensure Start/Stop System is deactivated whenever working on vehicle. Switch OFF ignition.

**Caution:** Only perform battery procedures in suitable and well-ventilated locations.

**Note:** The ABS lamp may be illuminated after reconnecting battery but will go out after vehicle is driven a short period.

### BATTERY

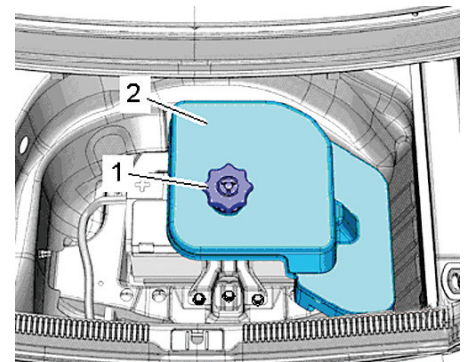
#### Removal

1. Record radio station presets.
2. Turn off all lamps and accessories.
3. Turn ignition switch to OFF position.
4. **On Sedan models**, perform the following:
  - a. Lift luggage compartment floor and engage it on body.
  - b. Remove nut (1) and tool kit cover (2), **Fig. 1**.
5. **On Avant models**, perform the following:
  - a. Remove luggage compartment floor.

- b. Remove nuts and spare tire, if applicable.
6. **On models equipped with version I ground terminal cover**, perform the following:
  - a. Remove tool kit mount (3), **Fig. 2**.
  - b. Remove bolts (A), **Fig. 2**.
  - c. Remove retaining bracket (2) for vehicle tool kit cover, **Fig. 2**.
  - d. Release retaining clips (B) using a screwdriver, and remove ground terminal cap (1), **Fig. 2**.
7. **On models equipped with version II ground terminal cover**, perform the following:
  - a. Remove subwoofer (1) if equipped, **Fig. 3**.
  - b. Remove tool kit mount (2), **Fig. 3**.
  - c. Remove bolts (arrows), **Fig. 3**.
  - d. Remove spare tire bracket (4), **Fig. 3**.
8. **On all models**, loosen nut (4) a few turns, and remove ground cable terminal clamp from battery terminal, **Fig. 4**.
9. Open cover (3) over battery positive terminal, **Fig. 4**.
10. Loosen nut (2) several turns, and remove positive wire terminal clamp with fuse panel A from battery terminal, **Fig. 4**.
11. Disconnect central venting system hose (5), **Fig. 4**.
12. Remove bolt (6) on battery mounting bracket (7), **Fig. 4**.
13. Remove battery (1) from battery mount, **Fig. 4**.
14. Remove battery from luggage compartment.

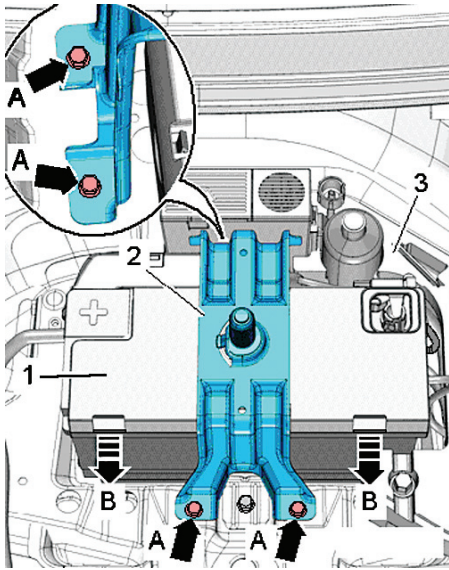
#### Installation

1. Install battery in battery mount so base strip engages in battery mount retaining strips. It should not be possible to move battery.
2. Position battery bracket (7), **Fig. 4**. Lug at battery bracket must engage in recess at battery base strip.
3. Hand tighten battery bracket bolt (6), **Fig. 4**.
4. Connect central venting system hose (5), **Fig. 4**.

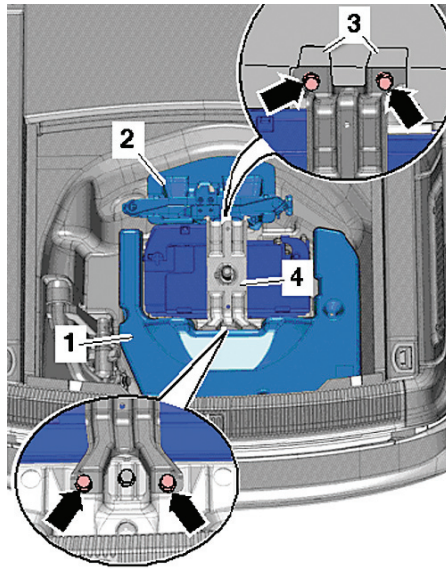


**Fig. 1 Tool kit cover removal**

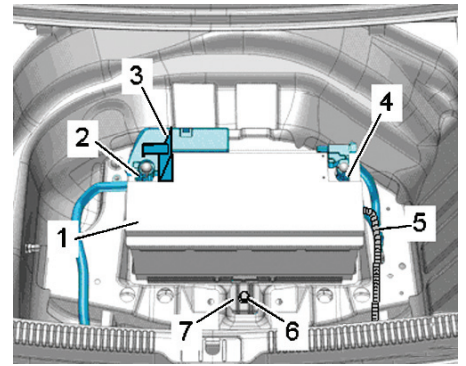
5. Connect positive cable terminal clamp (2) by hand to battery positive terminal and tighten nut, **Fig. 4**.
6. Connect ground wire terminal clamp (3) by hand to battery ground terminal and tighten nut, **Fig. 4**.
7. Connect electrical connector to battery monitoring control module.
8. **On models equipped with version I ground terminal cover**, perform the following:
  - a. Press ground terminal cover (1) onto battery, **Fig. 2**.
  - b. Install retaining bracket (2) for vehicle tool kit cover, **Fig. 2**.
9. **On models equipped with version II ground terminal cover**, perform the following:
  - a. Install spare tire bracket (4), **Fig. 3**.
  - b. Install bolts (arrows), **Fig. 3**.
  - c. Install tool kit mount (2), **Fig. 3**.
  - d. Install subwoofer (1) if equipped, **Fig. 3**.
10. Activate power window regulator one-touch up/down function. Refer to owner's manual for more information.
11. Synchronize remote control. Refer to owner's manual for more information.
12. Inspect any affected system or component such as clock, comfort adjustment, or compass for proper settings, and adjust as required.



**Fig. 2 Ground terminal cover removal. Version I**



**Fig. 3 Ground terminal cover removal. Version II**



**Fig. 4 Battery removal**

The material herein may not be used without the prior express written permission of the copyright holder, including, but not limited to reproduction or transmission in any form by any means such as electronic, mechanical, photocopying, recording or otherwise; nor may it be stored on any retrieval system of any nature.

"The data reported herein has been compiled from authoritative sources. While every effort is made by the analysts to attain accuracy, manufacturing changes as well as typographical errors and omissions may occur on occasion. The publisher cannot be responsible nor does it assume any responsibility whatsoever for such omissions, errors or changes."

"Portions of materials contained herein have been reprinted under license from Volkswagen Group of America, Inc., License Agreement 12500VWA."

**MOTOR INFORMATION SYSTEMS**  
**MOTOR is a trademark of Hearst Business Media**  
**A Unit of Hearst Corporation**  
**1301 W. Long Lake, Suite 300**  
**Troy, MI 48098**

Copyright © 2015 Hearst Business Media. All rights reserved.