



Sealed Lead-Acid Batteries

BSL0865

(PC612)

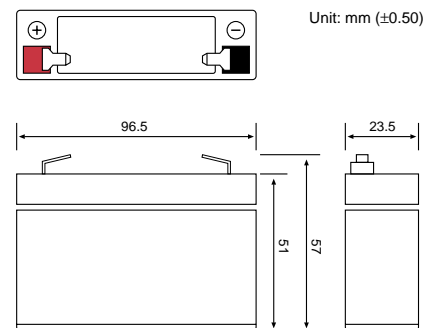
Capacity Specifications

Cut-off Voltage	20 Hr Rate (0.06 A)	1.3 Ah
1.75 v/c @ 25°C	10 Hr Rate (0.11 A)	1.1 Ah
1.70 v/c	5 Hr Rate (0.2 A)	1.0 Ah
1.55 v/c	1 Hr Rate (0.7 A)	0.7 Ah
	Bloc	Per Cell
Charge Voltage (constant)	Float	6.75~6.90
	Cycle	7.20~7.35
Discharge Current Amps (5 seconds maximum)	36	
Discharge Current Amps (maximum continuous)	12	
Max. Charge Current	.039 A	
Approx Final Charge Current (2.25 v/c Float)	0.003 (3 mA)	
Approx Final Charge Current (2.45 v/c Cycle)	0.01 (10 mA)	
Terminal Type	Type B	
Self Discharge	9 months @ 21°C	
Case Material	ABS – Gray* or Black	

Due to changes in the manufacturing processes, specifications may change without notice.
 *Gray option is Flame Retardant ABS.

Technical Specifications

Nominal Voltage	6V
Nominal Capacity	1.3 Ah (20 Hr Rate)
Dimensions	Length: 96.5 mm
	Width: 23.5 mm
	Height: 51 mm
Total Height/Terminal:	57 mm
Weight	Approx 0.31 Kg



Actual Wattage / Ampere Capacity at Various Discharge Times (Volt per Cell @ 25°C)		5 Min.	10 min.	15 min.	30 min.	45 min.	60 min.
1.75 v/c	Time						
	W	7.72	5.2	4.0	2.19	1.56	1.21
25°C	A	4.41	2.97	2.28	1.25	0.89	0.69
	Time						
1.67 v/c	W	8.15	5.34	4.07	2.22	1.57	1.24
	A	4.88	3.2	2.44	1.33	0.94	0.74
1.60 v/c	W	8.4	5.4	4.11	2.26	1.57	1.23
	A	5.25	3.37	2.57	1.41	0.98	0.77